

2021.0 F-PACE (X761), 102-05

TOWING**DETACHABLE TOWBAR / AUS TOWBAR /
NAS TOWBAR** [G2847072]

REMOVAL AND INSTALLATION

T4A39450 / T4A39453 / T4A39452 / T4A40521 / T2H43191 / T4A37409 / T4A38175 / T4A6275 / T4A6274**WARNING:**

Accessories which are not correctly installed can be dangerous. Read the instructions carefully prior to installation. Comply with instructions at all times. If in doubt, contact your nearest approved retailer.



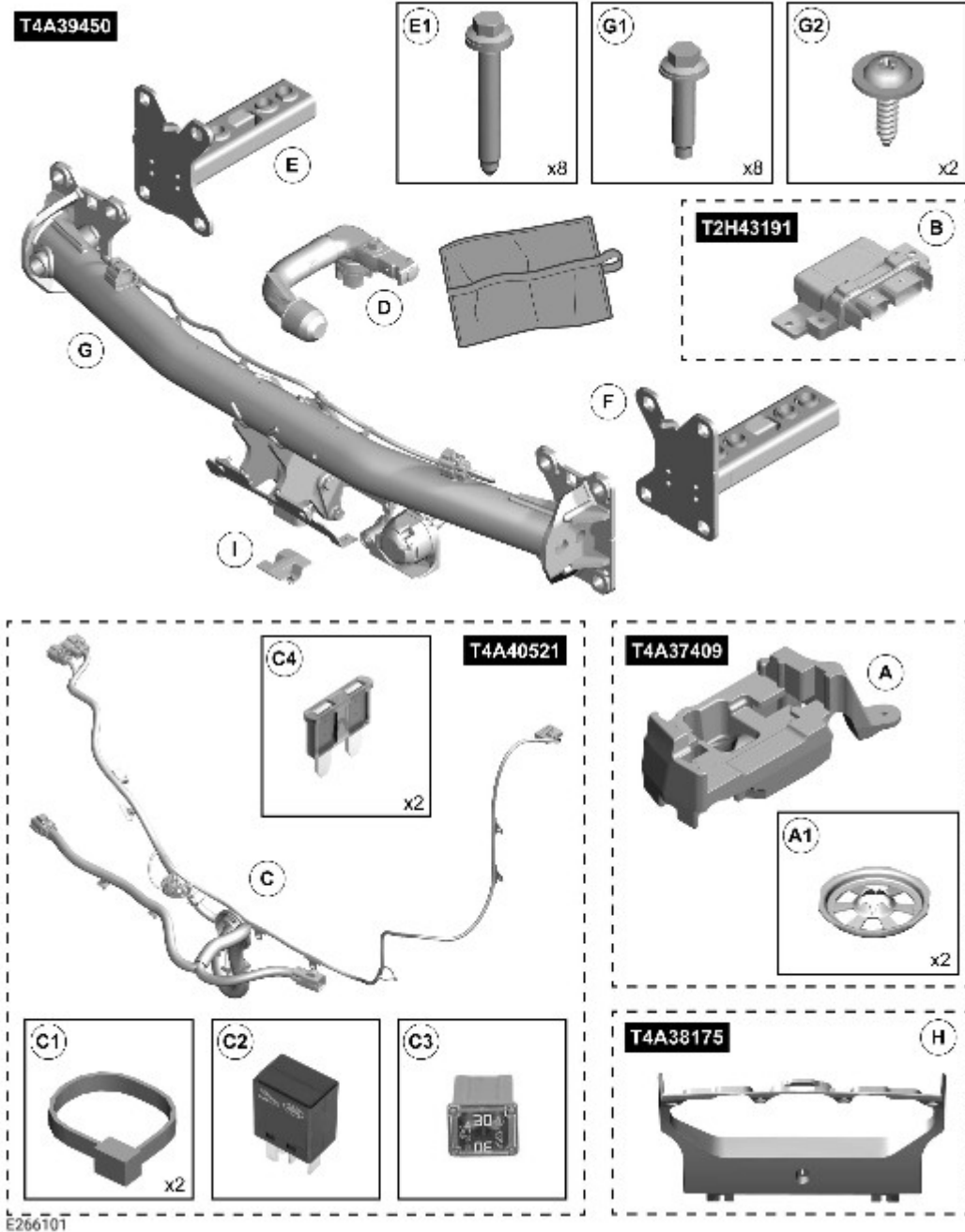
E283564

Detachable Towbar**WARNING:**

Accessories which are not correctly installed can be dangerous. Read the instructions carefully prior to installation. Comply with instructions at all times. If in doubt, contact your nearest approved retailer.

NOTE:

Trailer Module (TRM) (B) and holder (A) will not need to be ordered if you already have deployable side step accessory fitted to your vehicle.



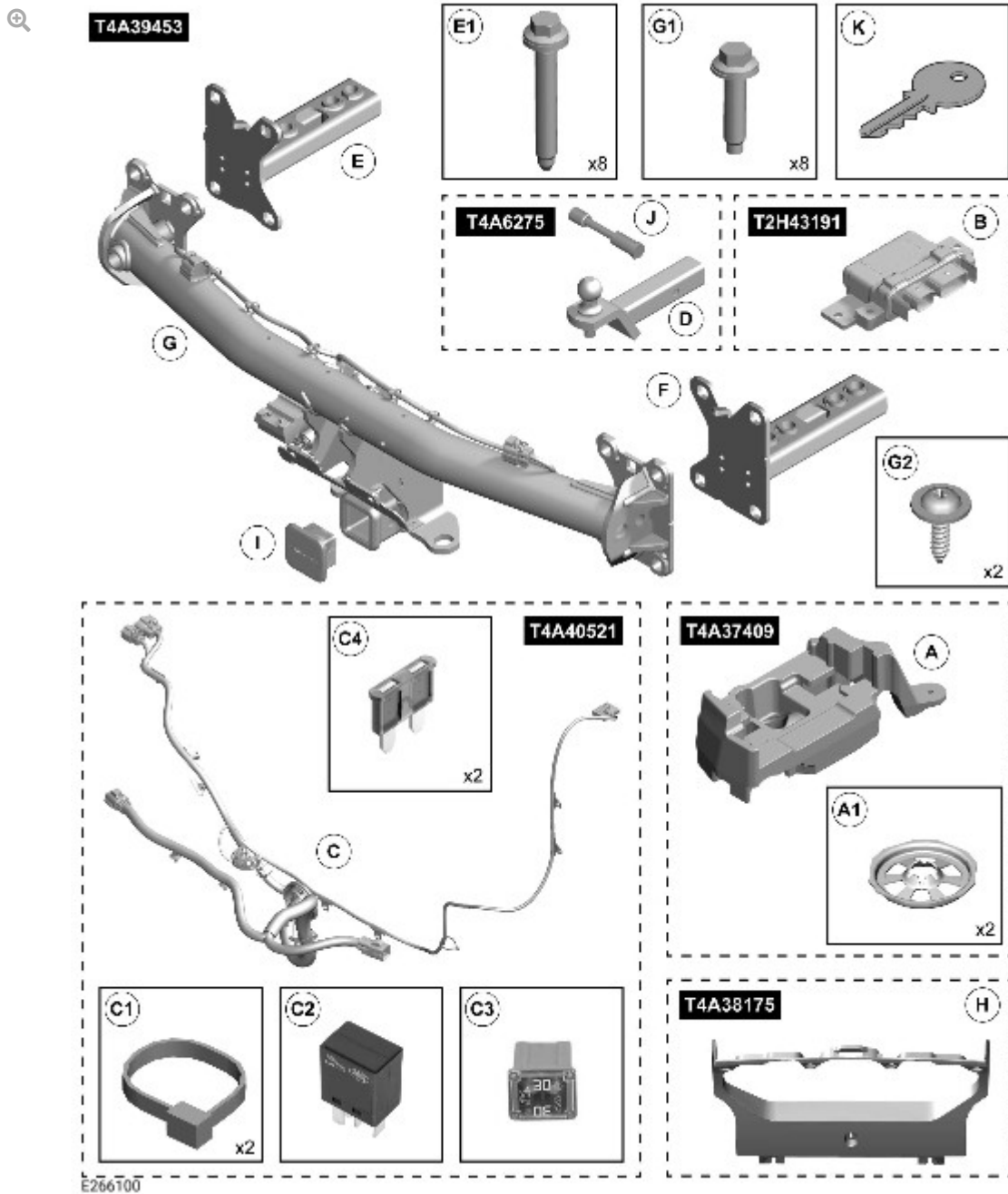
NOTE:

Motor vehicle data, detachable towbar.

SPECIFICATIONS	
Type	5739
D-value	12.38kN
Vertical coupling load	120kg
Coupling class	A50-X
Manufacturer	Brink Towing Systems B.V.
Model application	F-Pace

SPECIFICATIONS	
EC-type approval number towbar	E11 5RR-0110496
Maximum trailer weight	2400kg (2000kg Plug-in Hybrid Electric Vehicle (PHEV))

Australian Towbar



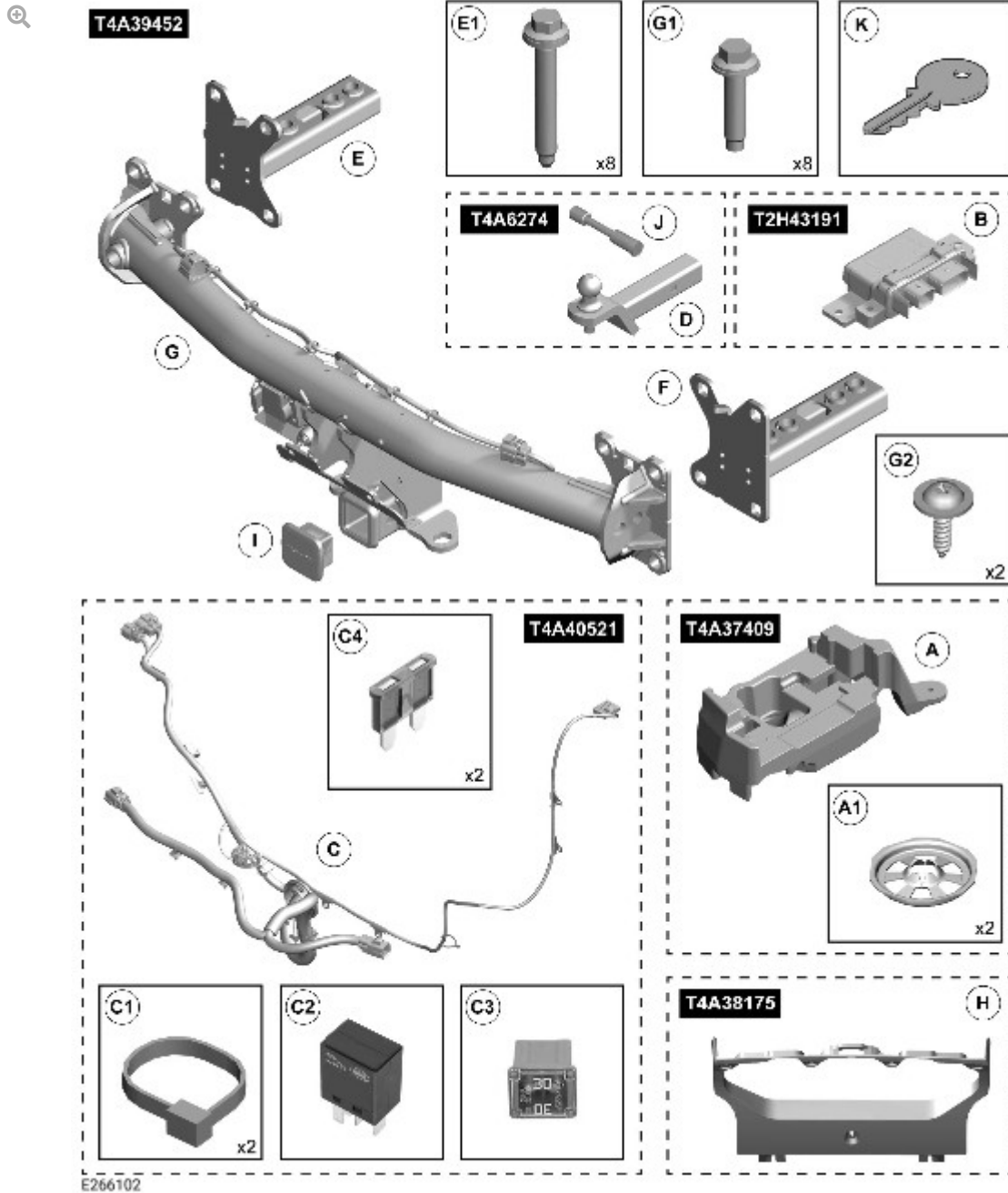
NOTE:

Motor vehicle data, Australian towbar.

SPECIFICATIONS	
D-value	12.38kN
Vertical coupling load	175kg

SPECIFICATIONS	
Coupling class	A50-X
Manufacturer	Brink Towing Systems B.V.
Model application	F-Pace
Maximum trailer weight	2400kg (2000kg <u>PHEV</u>)

NAS Towbar



NOTE:

Motor vehicle data, NAS towbar.

SPECIFICATIONS	
----------------	--

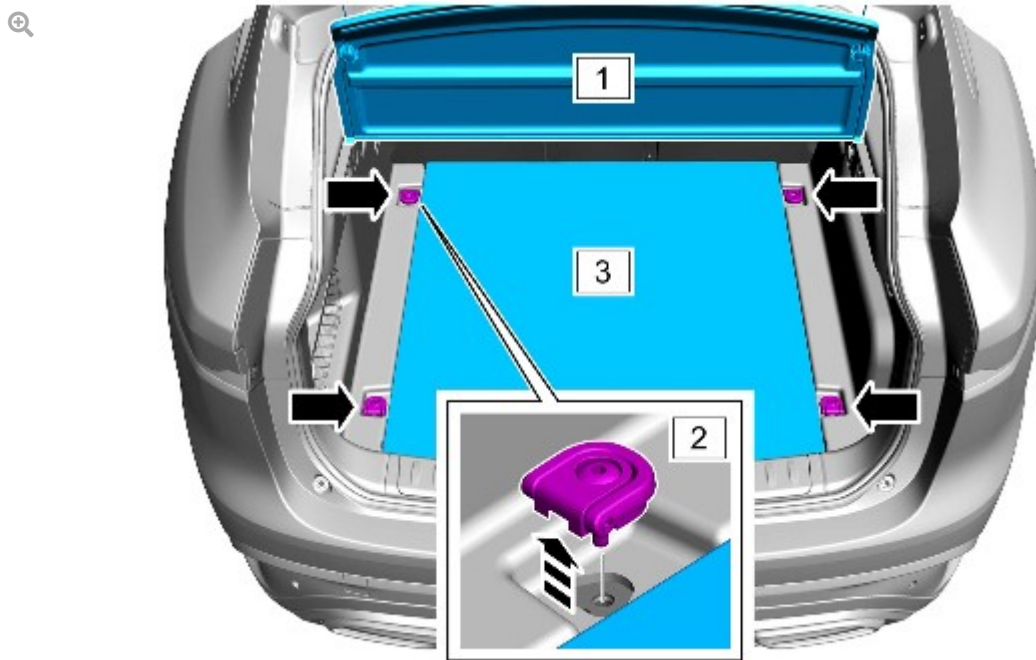
SPECIFICATIONS	
D-value	12.38kN
Vertical coupling load	175kg
Coupling class	A50-X
Manufacturer	Brink Towing Systems B.V.
Model application	F-Pace
Maximum trailer weight	2400kg (2000kg <u>PHEV</u>)

REMOVAL

1.

NOTE:

Appearance of the loadspace stowage compartment will vary depending on the vehicle specification.



E265976

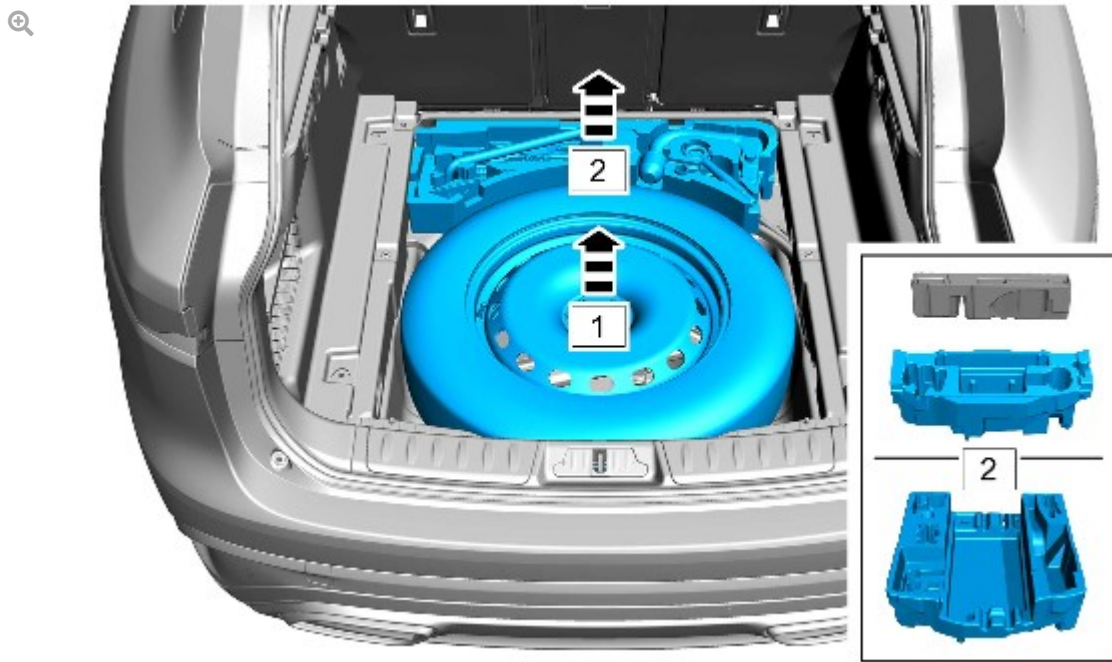
Remove parts in this order.

1. Remove parcel shelf.
2. Remove (x4) D-loops.
3. Remove loadspace floor.

2.

NOTE:

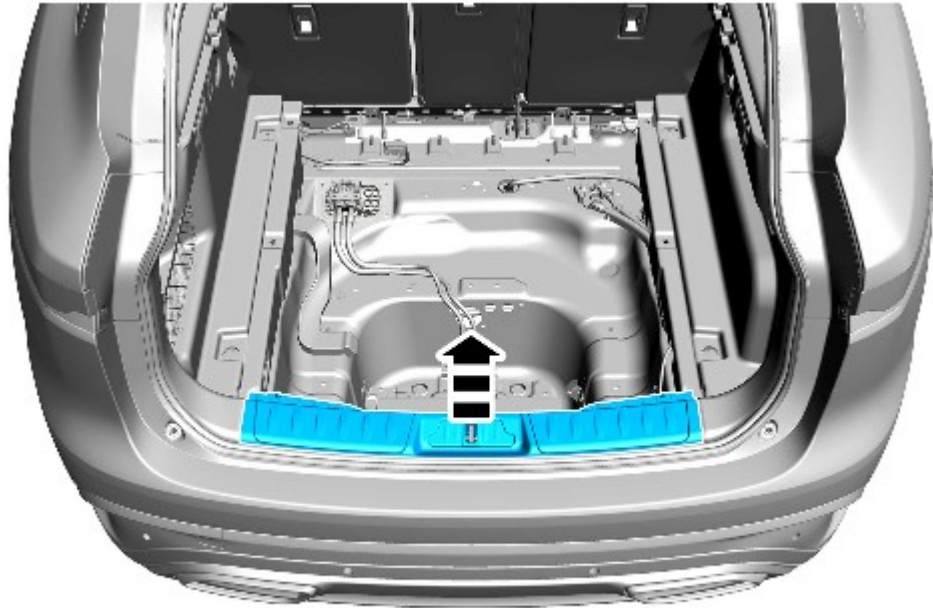
Appearance of the loadspace stowage compartment will vary depending on the vehicle specification.



Remove parts in this order.

1. Remove spare wheel (If one is present).
2. Remove tool foam tray depending on vehicle specification.

3.

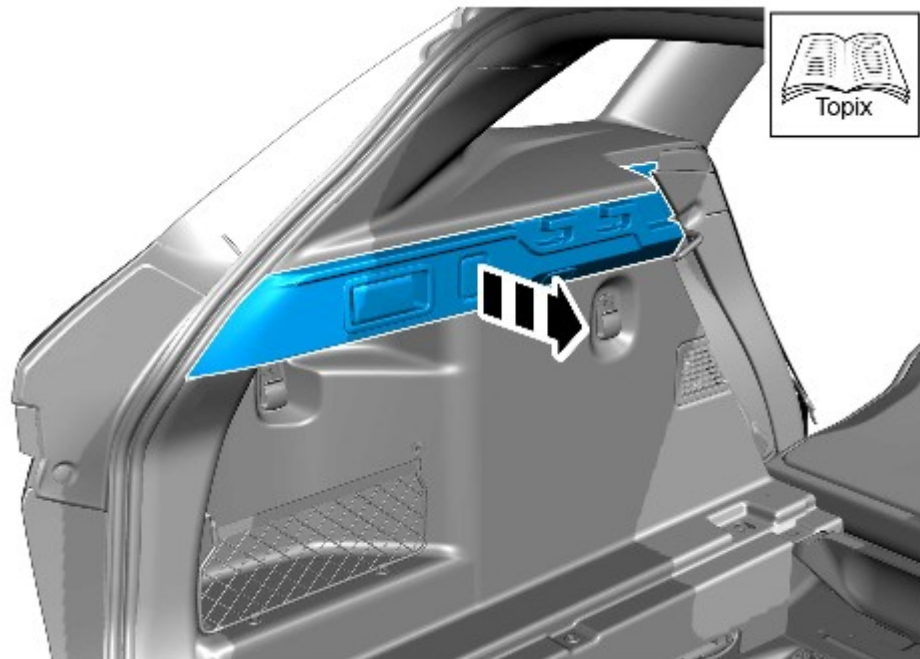


E265986

Remove loadspace scuff plate trim panel.

- For additional information, refer to: [Loadspace Scuff Plate Trim Panel](#) (501-05, Removal and Installation).

4.

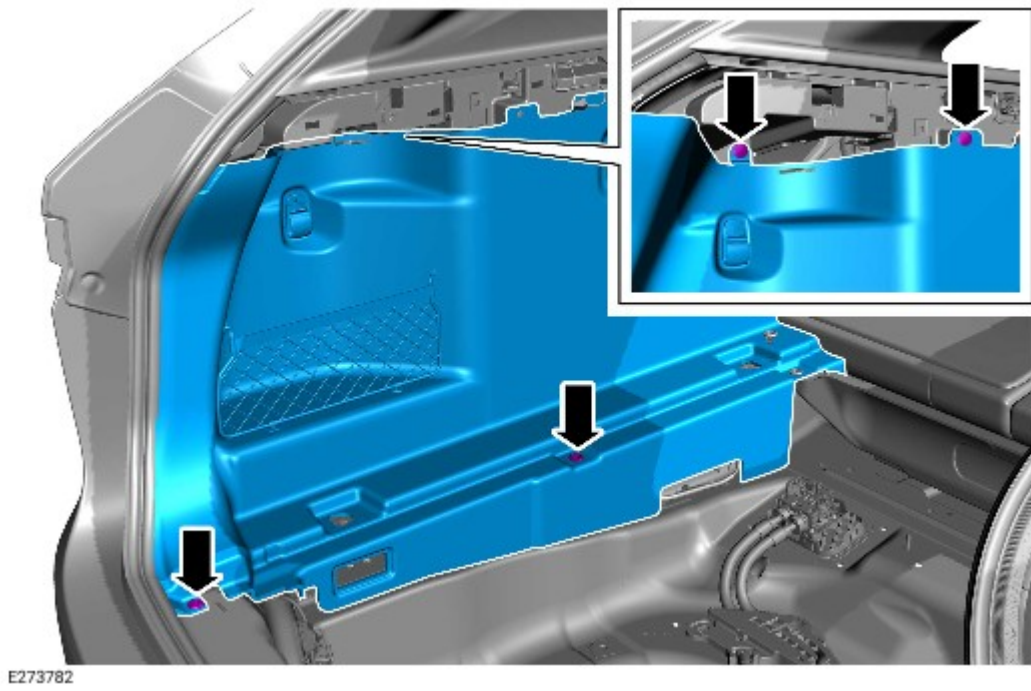


E273780

Remove both left and right C-Pillar trim panel.

- For additional information, refer to: [C-Pillar Trim Panel](#) (501-05, Removal and Installation).

5.

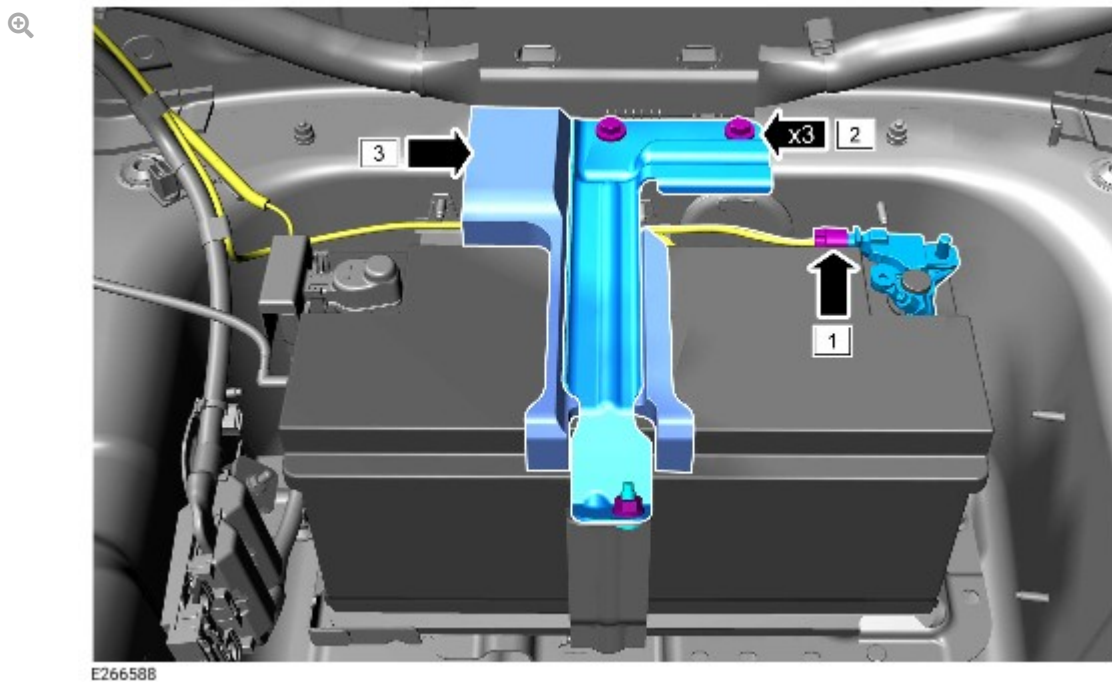


Partially remove both left and right side trim panel by removing 4 clips on each side for access.

6.

NOTE:

Appearance of the battery will vary depending on the vehicle specification, but the essential information is always correct.



Disconnect battery.

1. Disconnect negative battery terminal connector from battery.
2. Remove battery bracket (x3) fixings.
3. Remove rubber foam.

7. Raise vehicle on post ramp.

8.



E265980

Remove rear bumper.

- For additional information, refer to: [Rear Bumper - INGENIUM I4 2.0L Petrol/TDV6 3.0L Diesel /V6 S/C 3.0L Petrol /INGENIUM I4 2.0L Diesel](#) (501-19, Removal and Installation).

9.

WARNING:

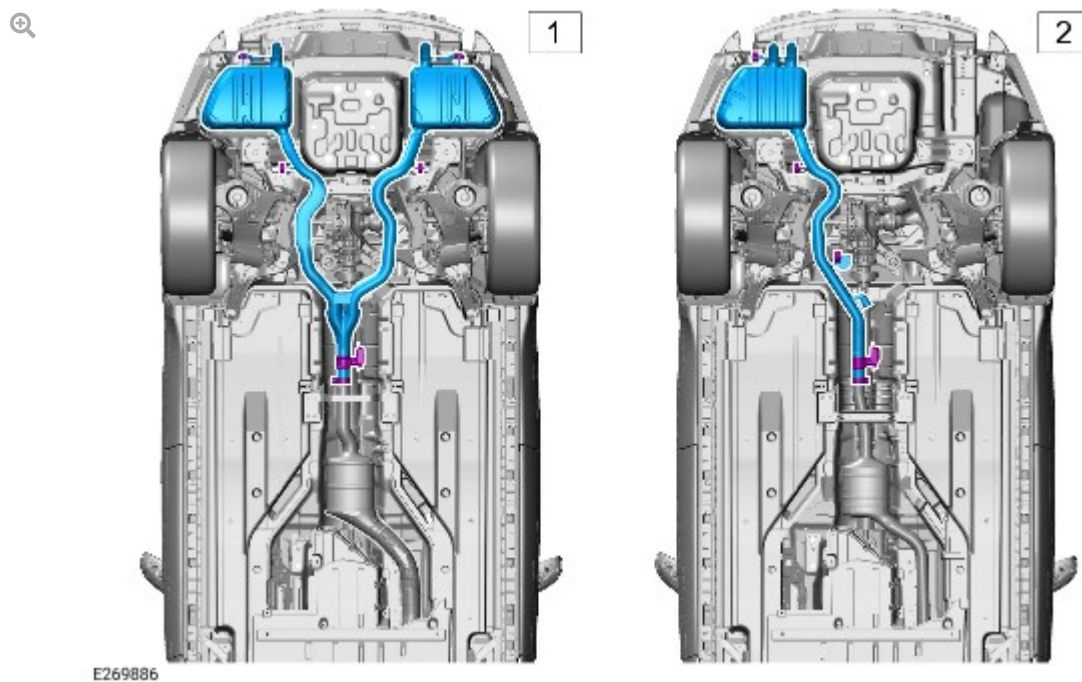
Observe due care when working near a hot exhaust system.

CAUTION:

Make sure the exhaust system is supported at all times with workshop stand.

NOTE:

This step shows the variants of diesel exhaust systems.



Drop rear exhaust sufficiently enough to gain access to area between rear silencer and rear floor for installation of fixings (E1) in install step 1.

1. 3.0L Diesel. For additional information, refer to: [Rear Silencer](#) (309-00E, Removal and Installation).
2. 2.0L Diesel. For additional information, refer to: [Rear Silencer](#) (309-00A, Removal and Installation).

10.

WARNING:

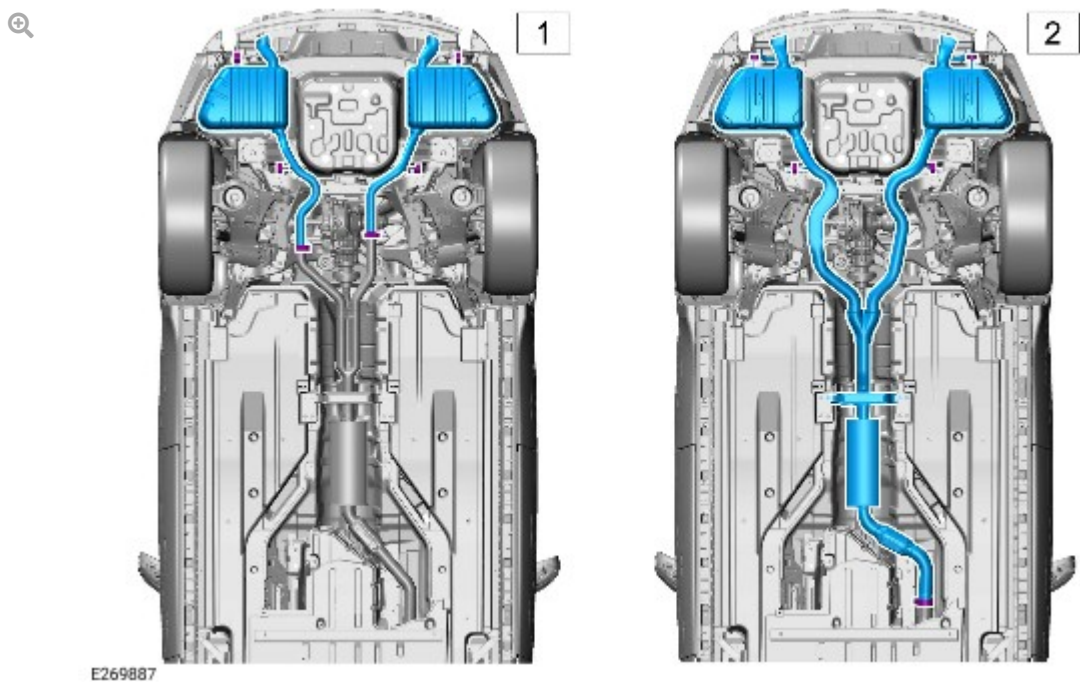
Observe due care when working near a hot exhaust system.

CAUTION:

Make sure the exhaust system is supported at all times with workshop stand.

NOTE:

This step shows the variants of petrol exhaust systems.



Drop rear exhaust sufficiently enough to gain access to area between rear silencer and rear floor for installation of fixings (E1) in install step 1.

1. 2.0L Petrol. For additional information, refer to: [Front Silencer](#) (309-00B, Removal and Installation).
2. 3.0L Petrol. For additional information, refer to: [Rear Silencer](#) (309-00D, Removal and Installation).

11.

WARNING:

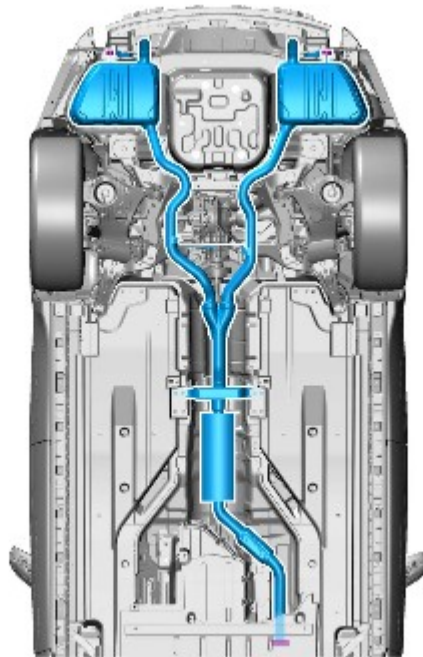
Observe due care when working near a hot exhaust system.

CAUTION:

Make sure the exhaust system is supported at all times with workshop stand.

NOTE:

This step shows the PHEV exhaust system.

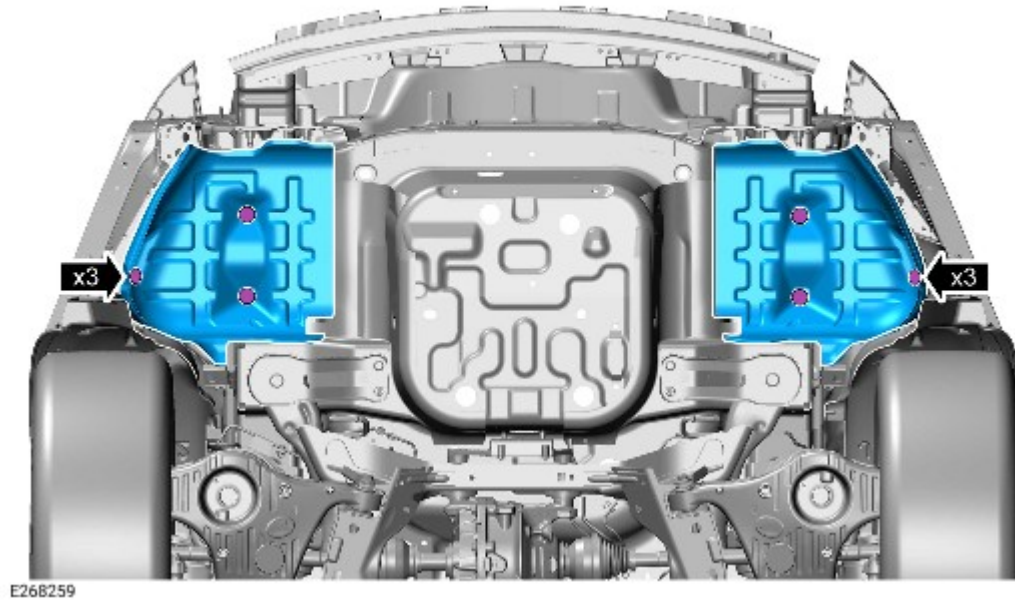


E27789B

Drop rear exhaust sufficiently enough to gain access to area between rear silencer and rear floor for installation of fixings (E1) in install step 1.

1. PHEV

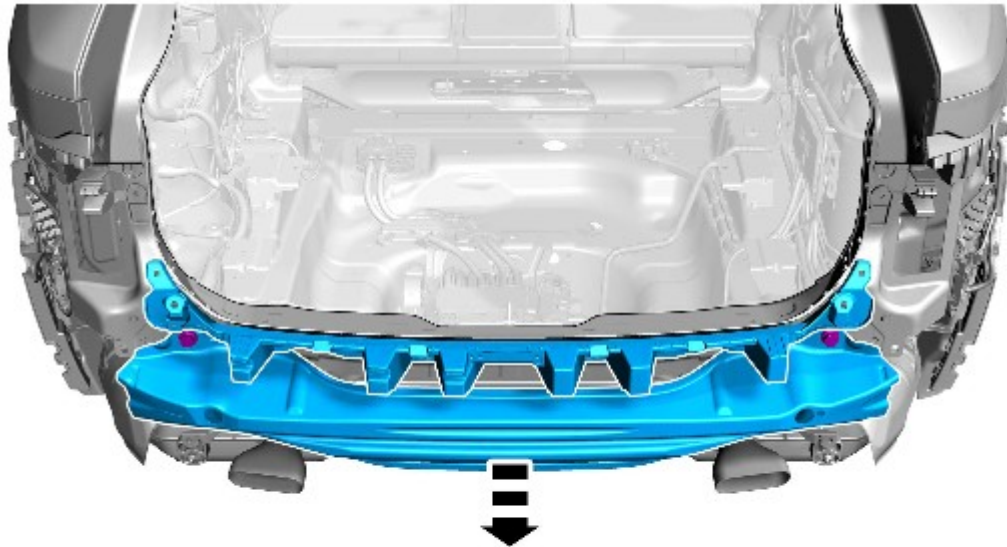
12.



E268259

Remove one or two exhaust heatshields depending on vehicle specification with (x3) fixings for each heatshield.

13.



E265981

Remove rear armature.

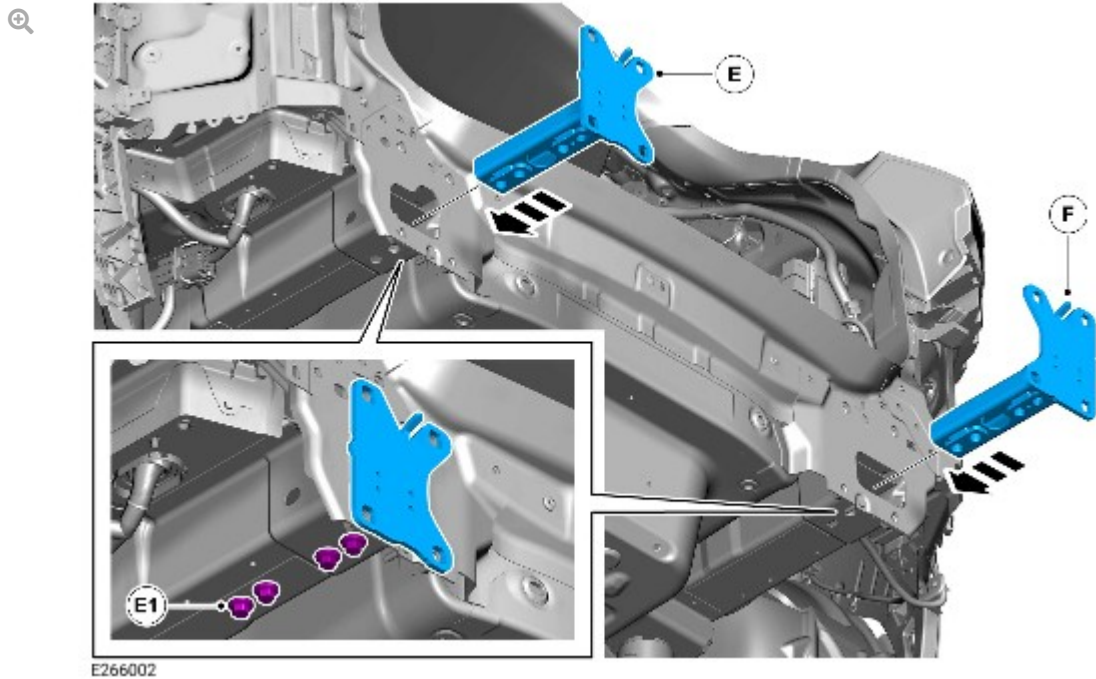
- For additional information, refer to: [Rear Armature - INGENIUM I4 2.0L Diesel AJ21/INGENIUM I4 2.0L Petrol/INGENIUM I6 3.0L Diesel/INGENIUM I6 3.0L Petrol \(501-19, Removal and Installation\)](#).

INSTALLATION

1.

CAUTION:

At this stage only hand tighten fixings.

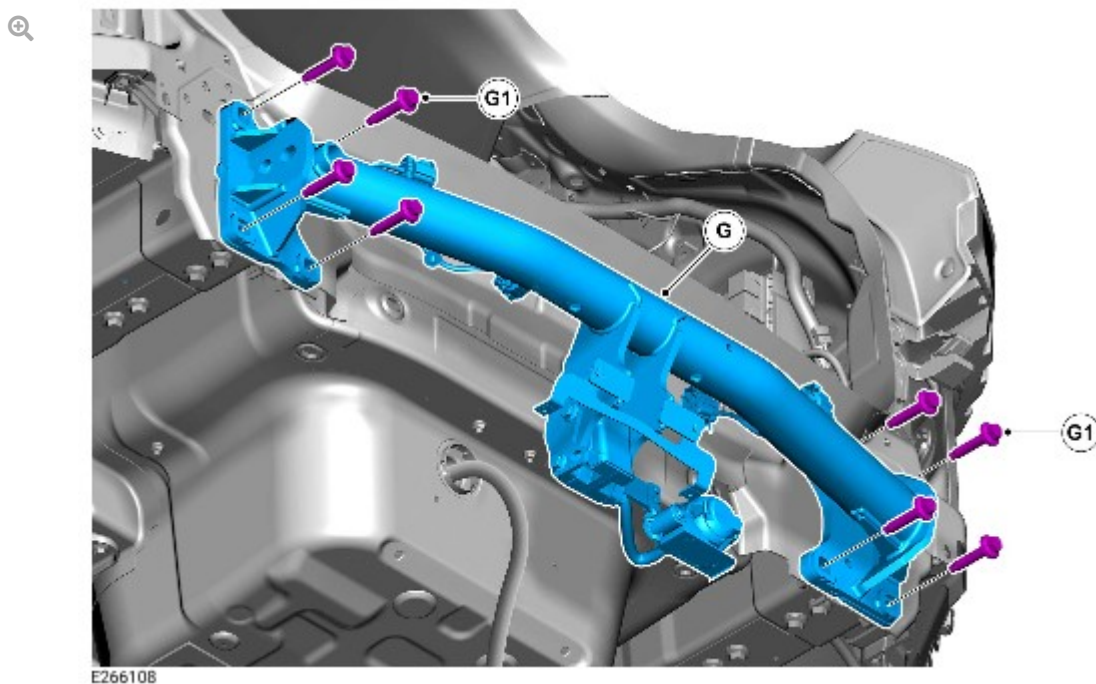


Install towbar brackets (E) and (F) to vehicle with (x8) fixings (E1).

2.

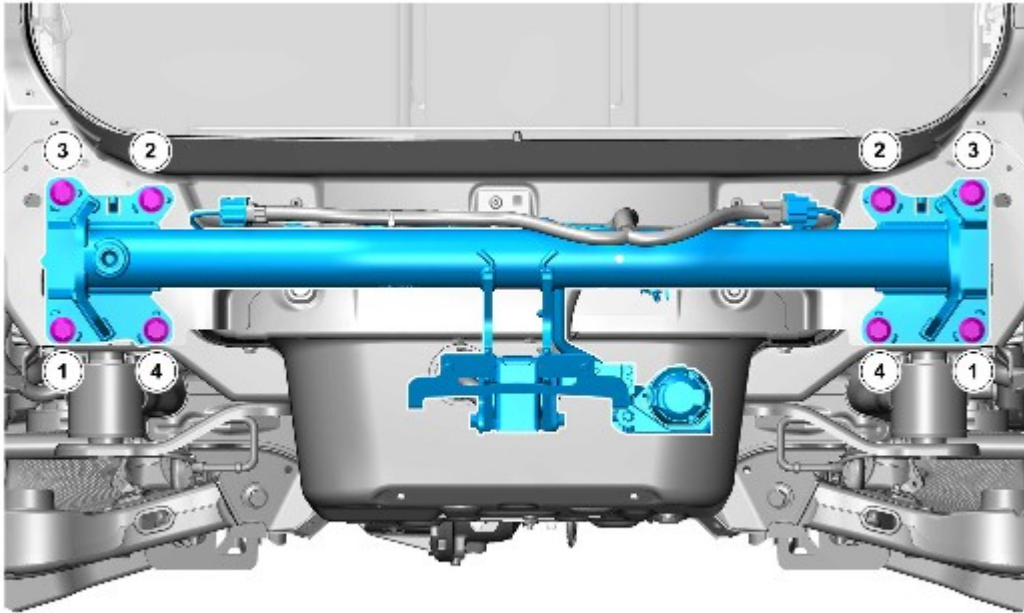
CAUTION:

At this stage only hand tighten fixings.



Install towbar (G) to vehicle with (x8) fixings (G1).

3.

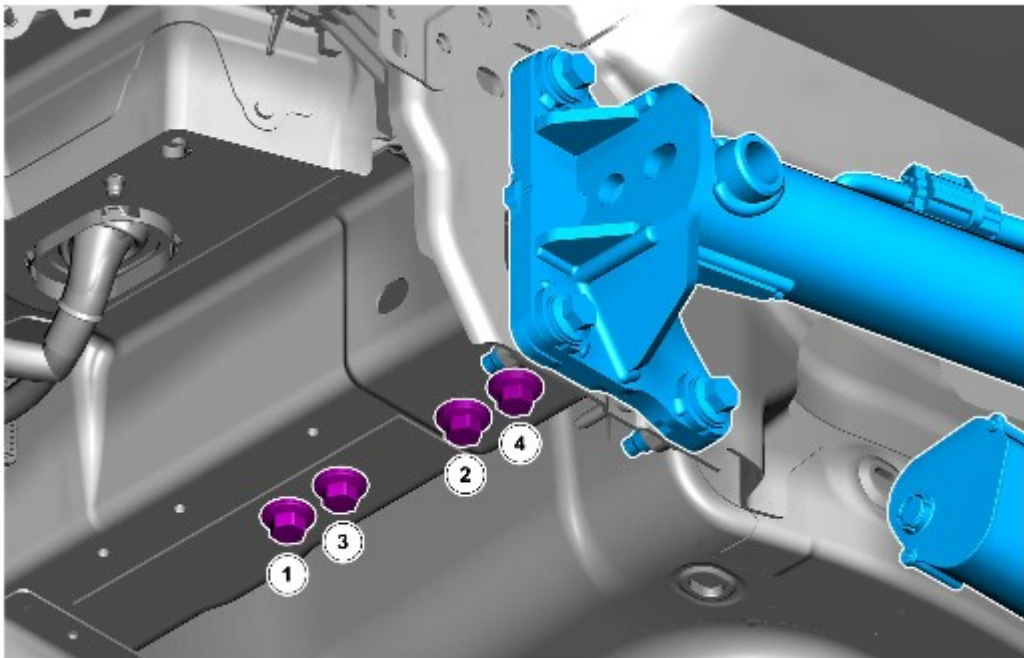


E266117

Tighten the bolts in the indicated sequence.

- Torque: 170 Nm

4.

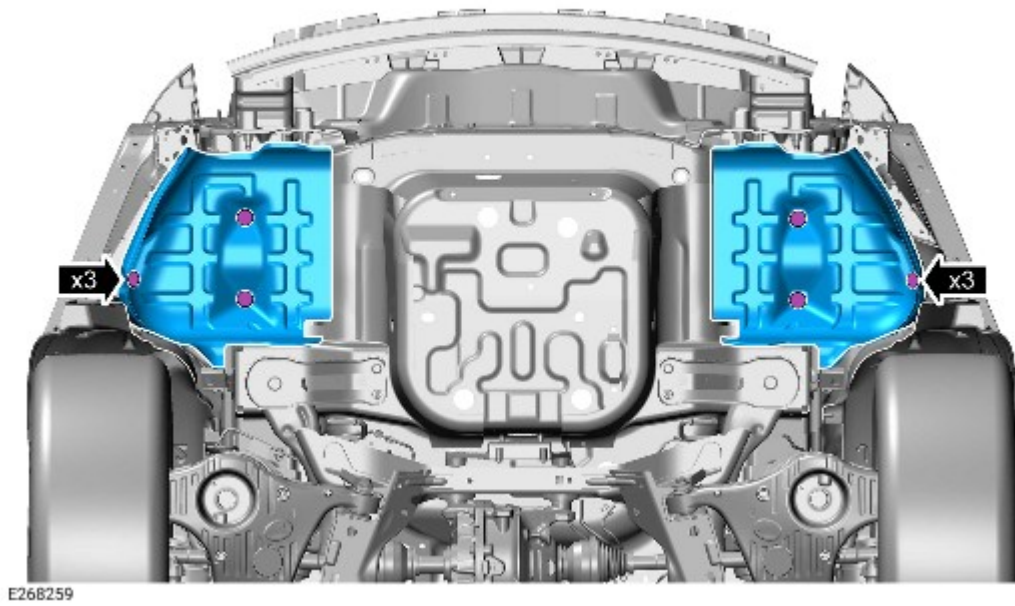


E266006

Tighten towbar bracket fixings in this order as illustrated on both sides of the vehicle.

- Torque: Stage 1: 100Nm, Stage 2: 240° +/- 5°

5.



E268259

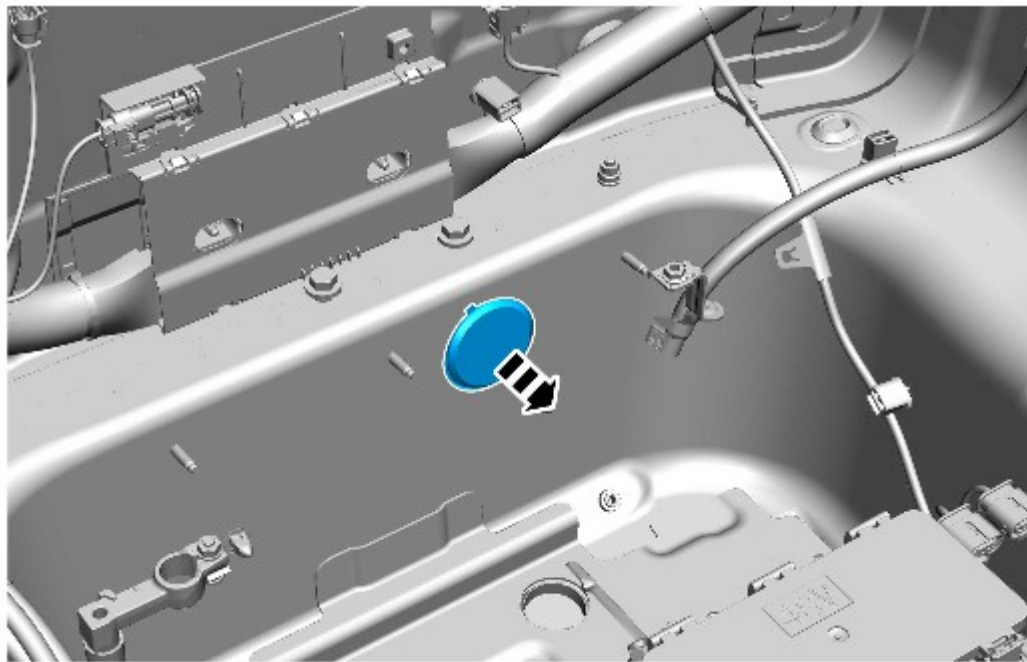
Refit one or two exhaust heatshields depending on vehicle specification with (x3) fixings for each heatshield.

■ 10Nm

6. Refit rear exhaust system covered in removal steps 10, 11 or 12.

7. Lower vehicle on post ramp.

8.



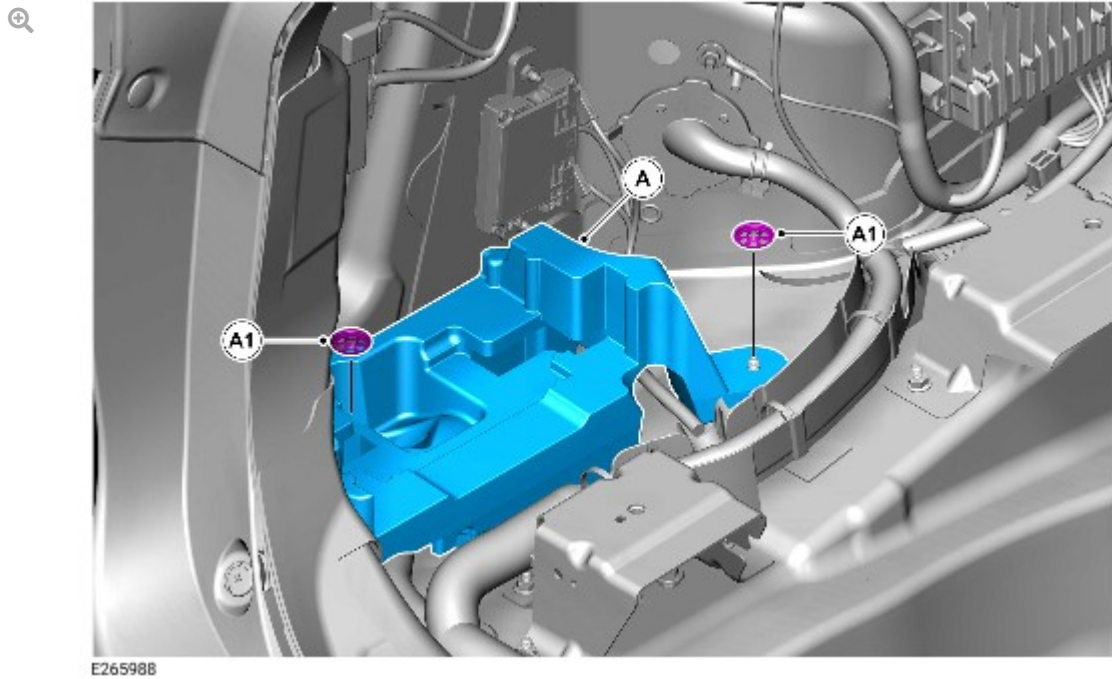
E269877

Remove grommet from spare wheel well.

9.

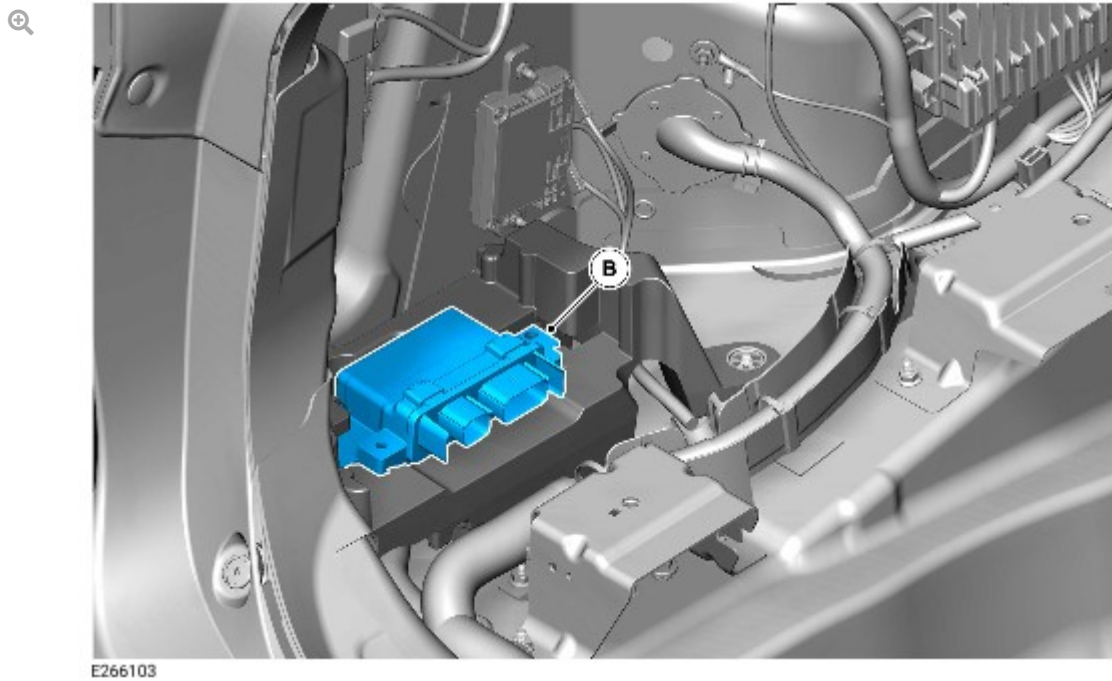
NOTE:

Steps 9 and 10 will not need to be done if you already have deployable side step accessory fitted to your vehicle.



Inside left loadspace install module holder (A) to body with (x2) fixings (A1).

10.

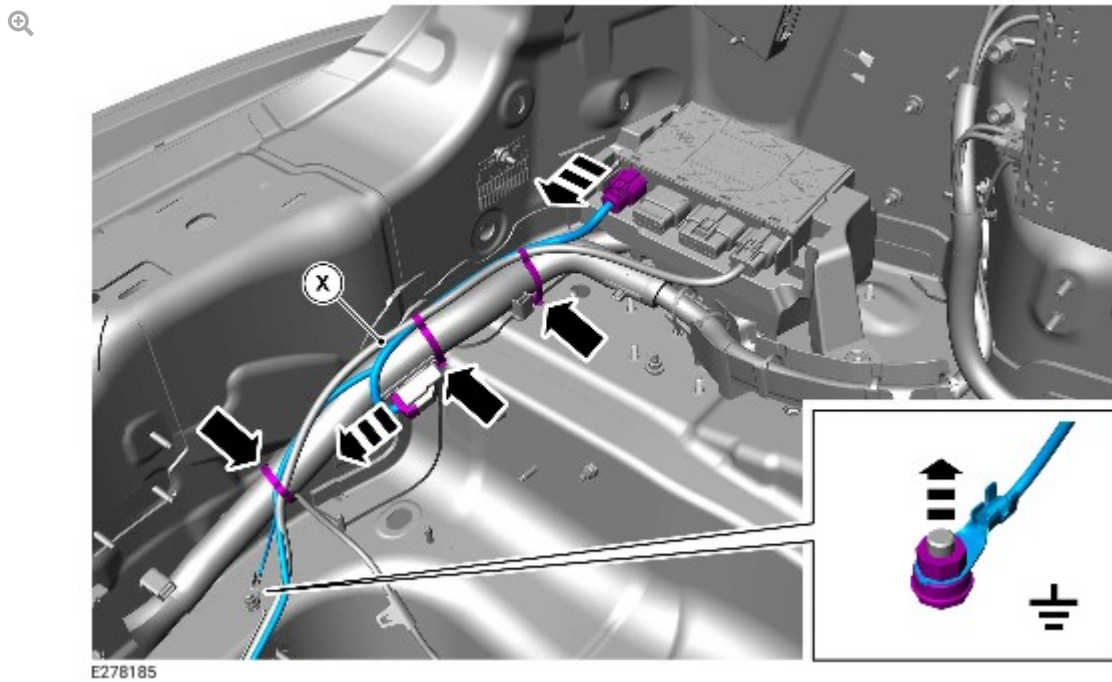


Install TRM (B) to module holder.

11.

NOTE:

If deployable side steps are pre-installed on your vehicle you will need to remove link lead (X). This connection will be replaced when you install the towbar harness (C).

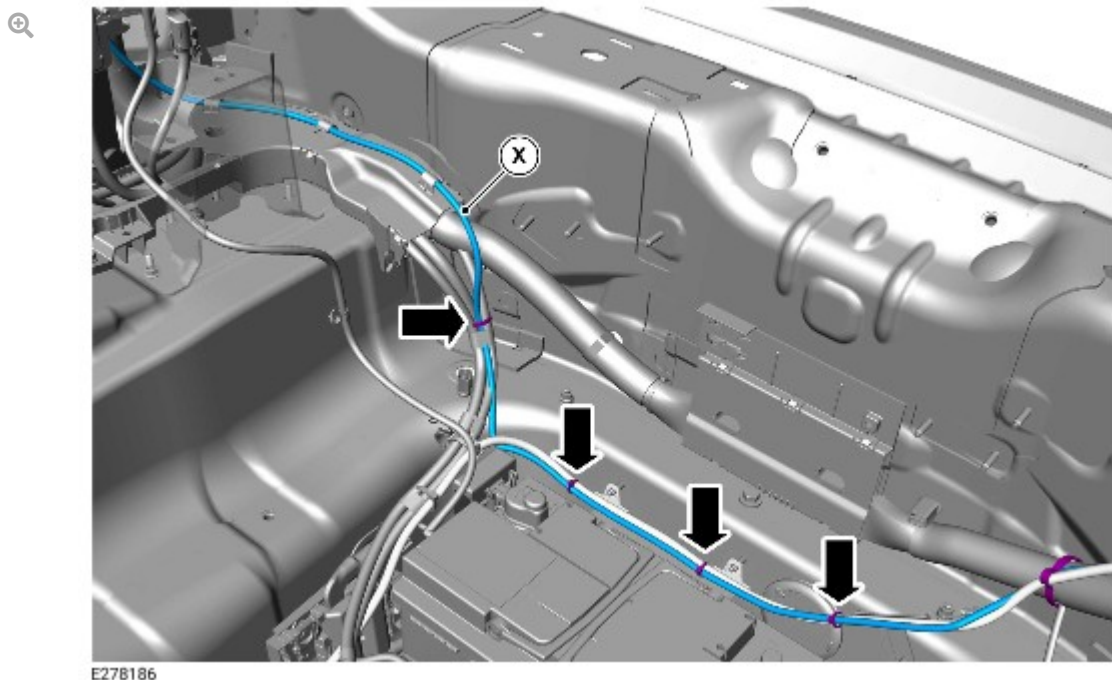


Remove existing deployable side step link cable (X). Disconnect (x2) connectors, earth cable and (x3) cable ties.

12.

NOTE:

If deployable side steps are pre-installed on your vehicle you will need to remove link lead (X). This connection will be replaced when you install the towbar harness (C).

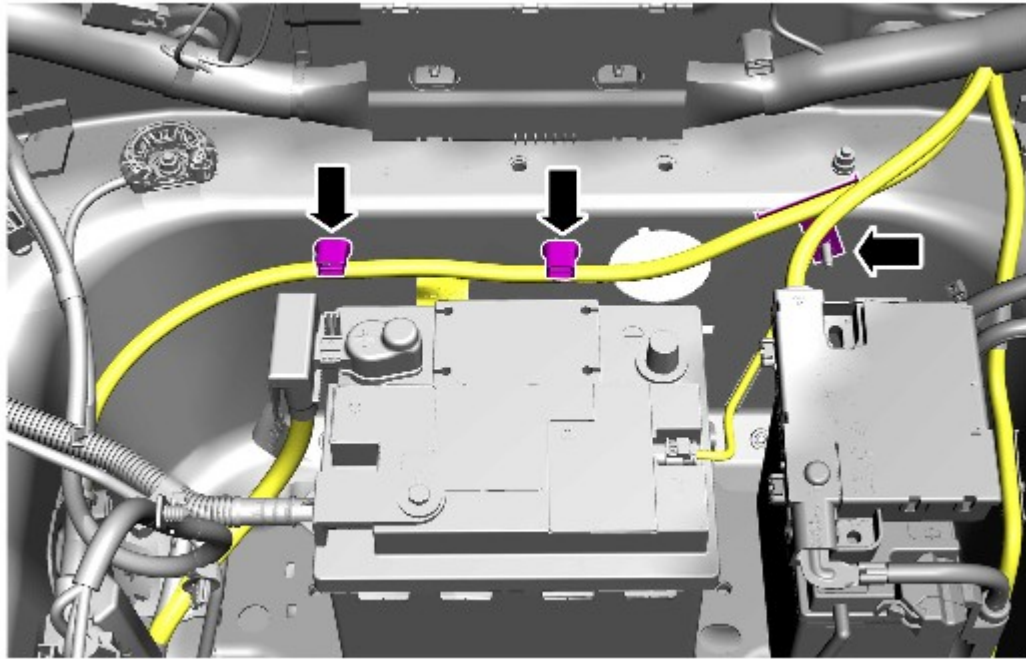


Continue to remove existing deployable side step link cable (X). Disconnect (x4) cable ties. The remaining part of link lead (X) is connected to the back of the junction box which can be removed in steps 24 and 25.

13.

NOTE:

For PHEV vehicles only.



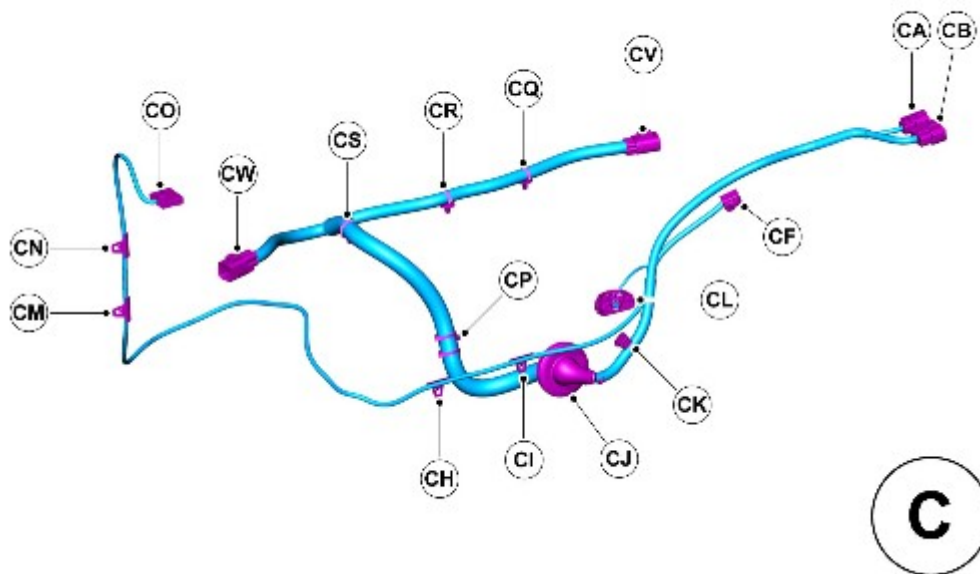
E268245

Remove body harness clips (x3) from spare wheel well in preparation of initialing the towing harness (C).

14.

NOTE:

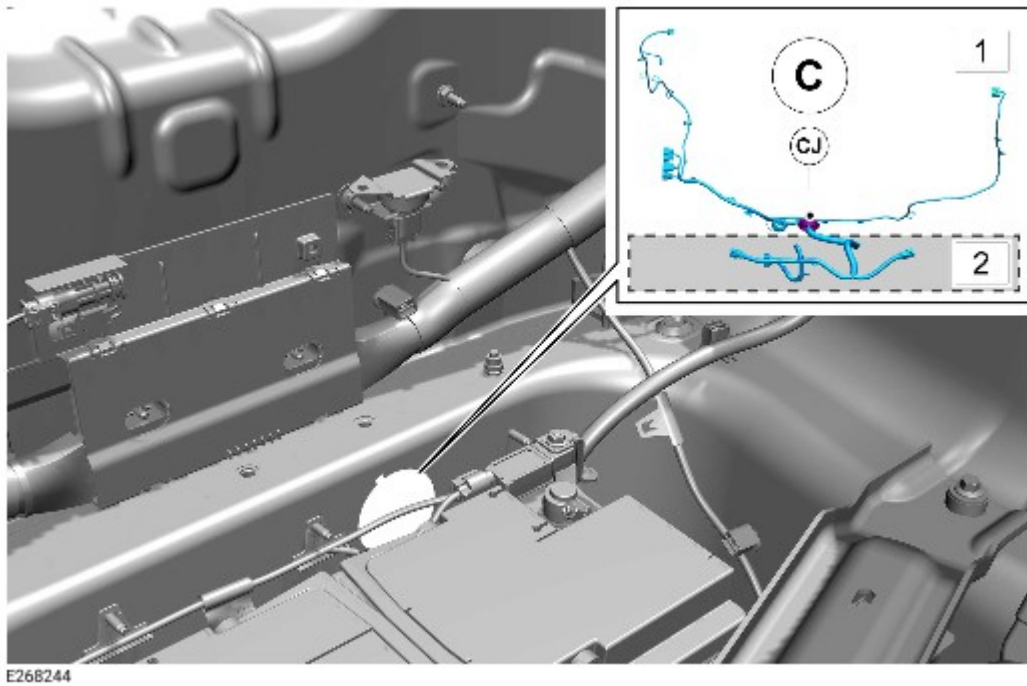
Make note of towing harness (C) connectors and clips.



E266105

Familiarize yourself with towing harness (C).

15.



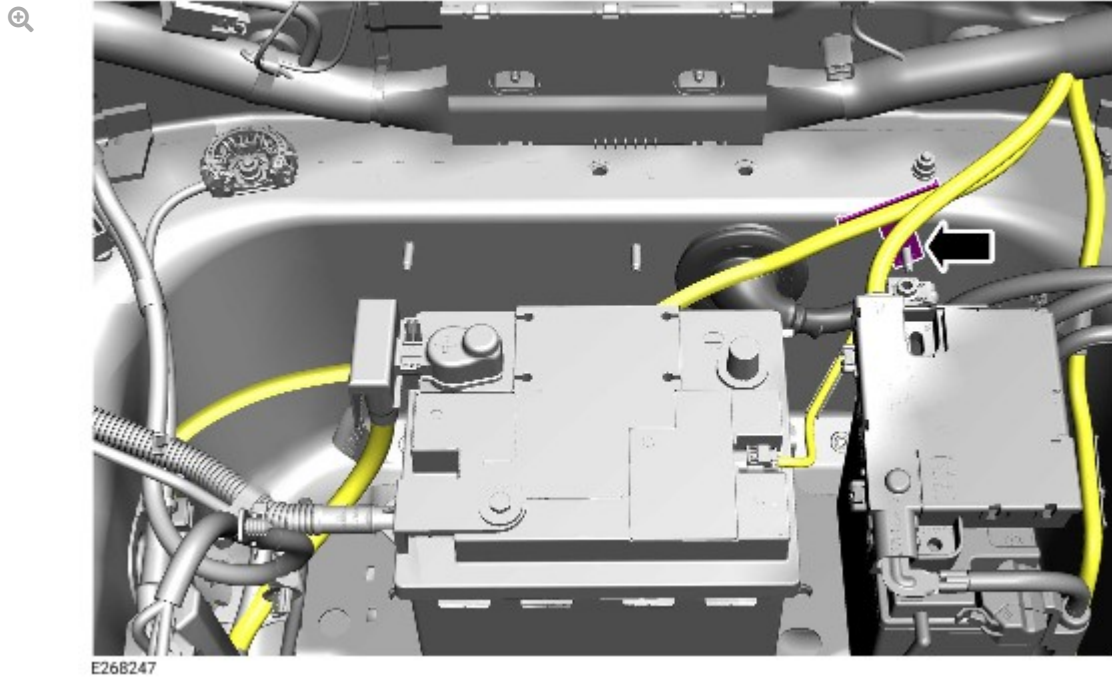
Feed towing harness (C) through spare wheel well.

1. Section 1 needs to sit inside the vehicle with grommet (CJ) sitting against the spare wheel well.
2. Section 2 needs to sit on the outside of vehicle.

16.

NOTES:

- For PHEV vehicles only.
- Please make note of how the body harness sits on the illustration on top of the towing harness.

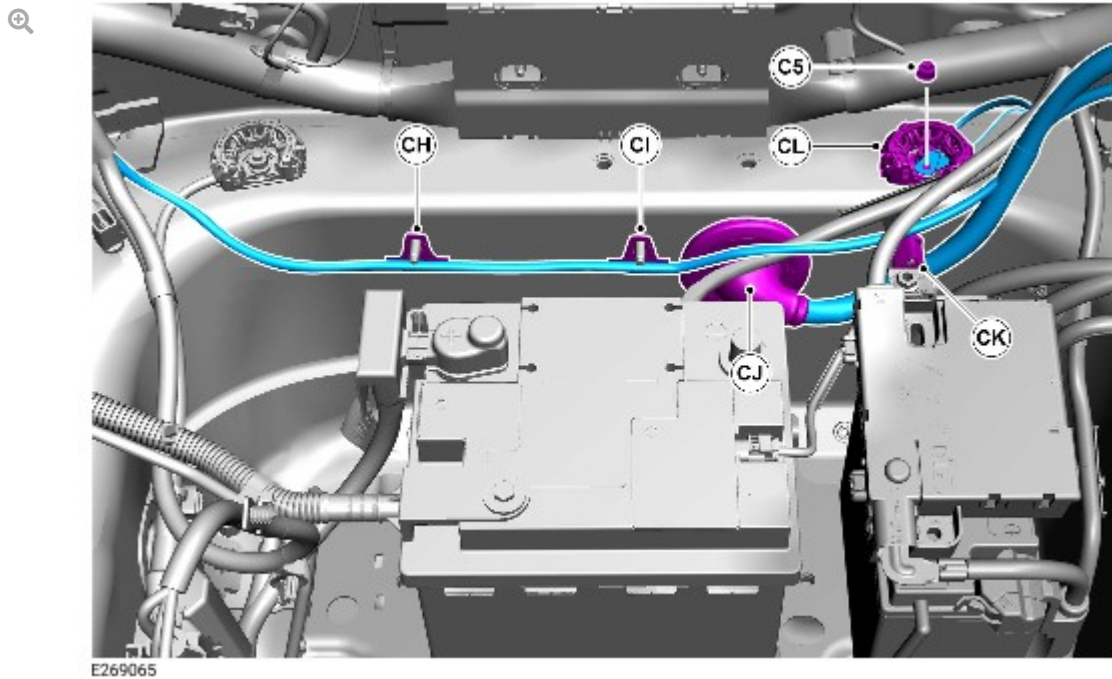


Reinstall (x1) body harness clip to spare wheel well stud.

17.

NOTES:

- For PHEV vehicles only.
- Please make note of how the harness sits on the illustration.



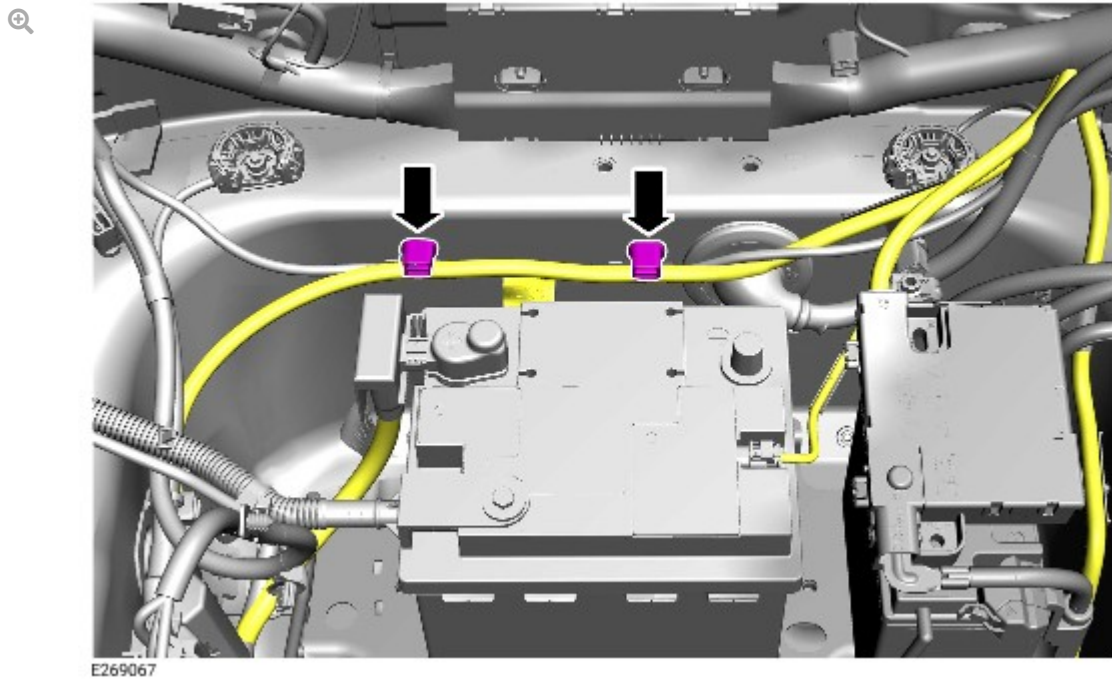
Install towing harness (C).

1. Make sure grommet (CJ) is installed to spare wheel well securely.
 2. Connect clips (CH), (CI) and (CK) to spare wheel well studs.
 3. Remove existing bolt (C5) and install earth leads to ring terminal (CL) to (C5) stud and reinstall bolt (C5).
- Torque: 21Nm

18.

NOTES:

- For PHEV vehicles only.
- Please make note of how the harness sits on the illustration.

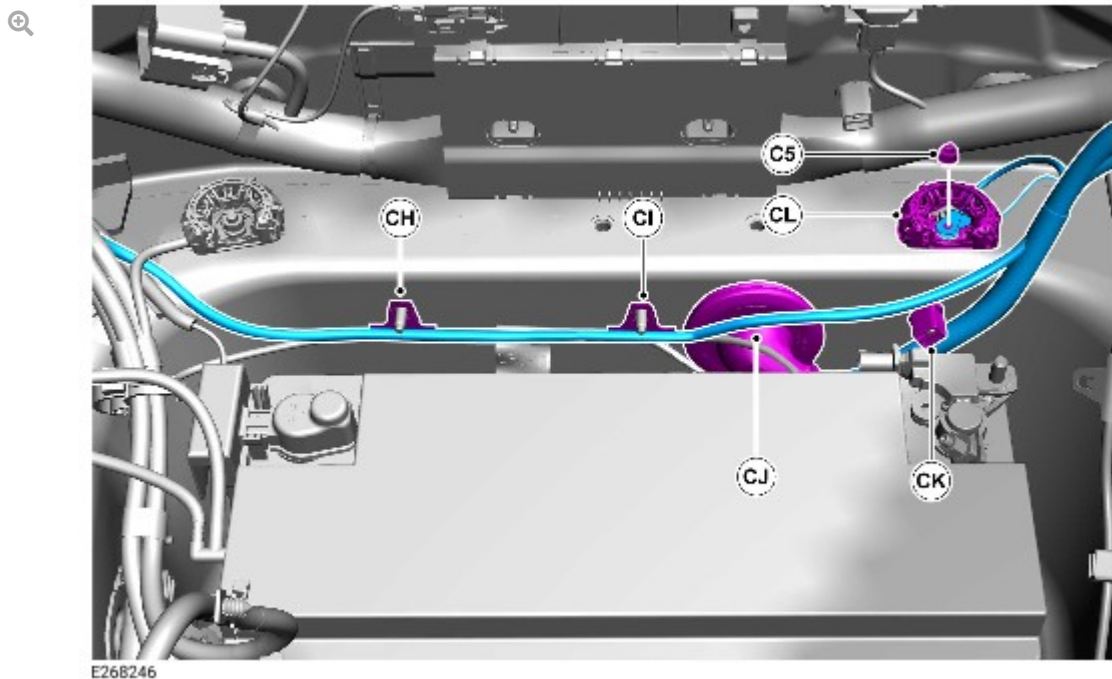


Reinstall (x2) body harness clips to spare wheel well studs.

19.

NOTE:

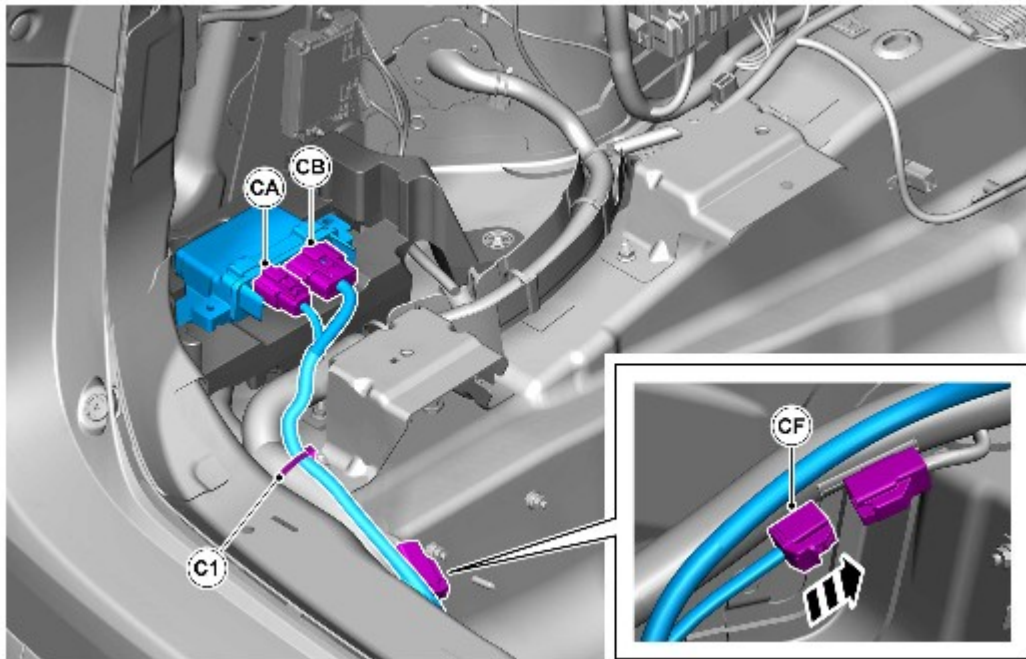
For non-PHEV vehicles only.



Install towing harness (C).

1. Make sure grommet (CJ) is installed to spare wheel well securely.
 2. Connect clips (CH), (CI) and (CK) to spare wheel well studs.
 3. Remove existing bolt (C5) and install earth leads to ring terminal (CL) to (C5) stud and reinstall bolt (C5).
- Torque: 21Nm

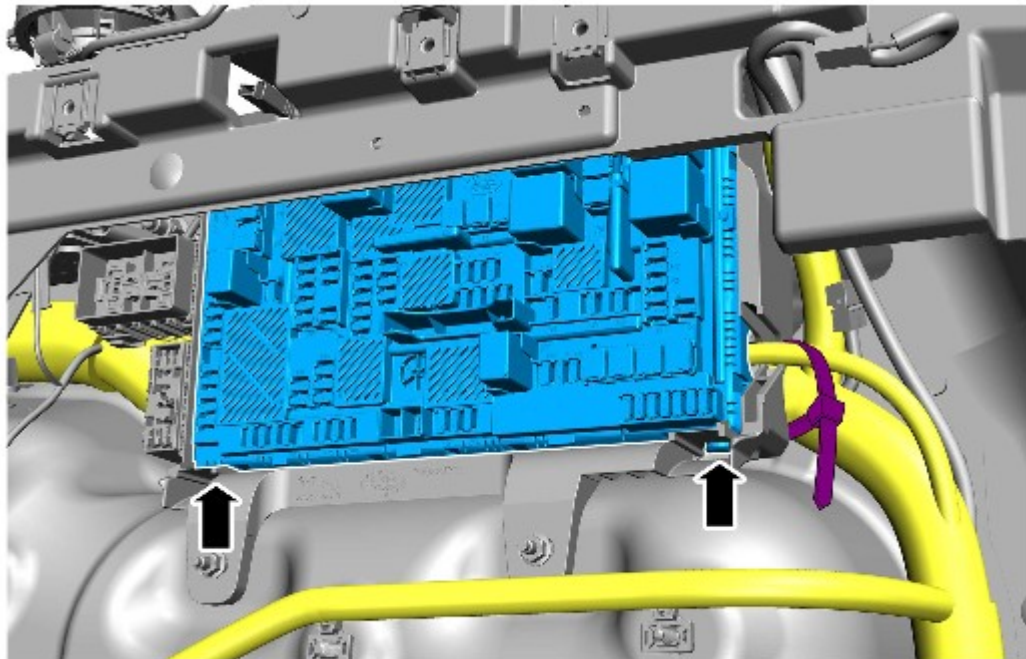
20.



E266106

Pull back left side trim panel and install towing harness as illustrated.

21.



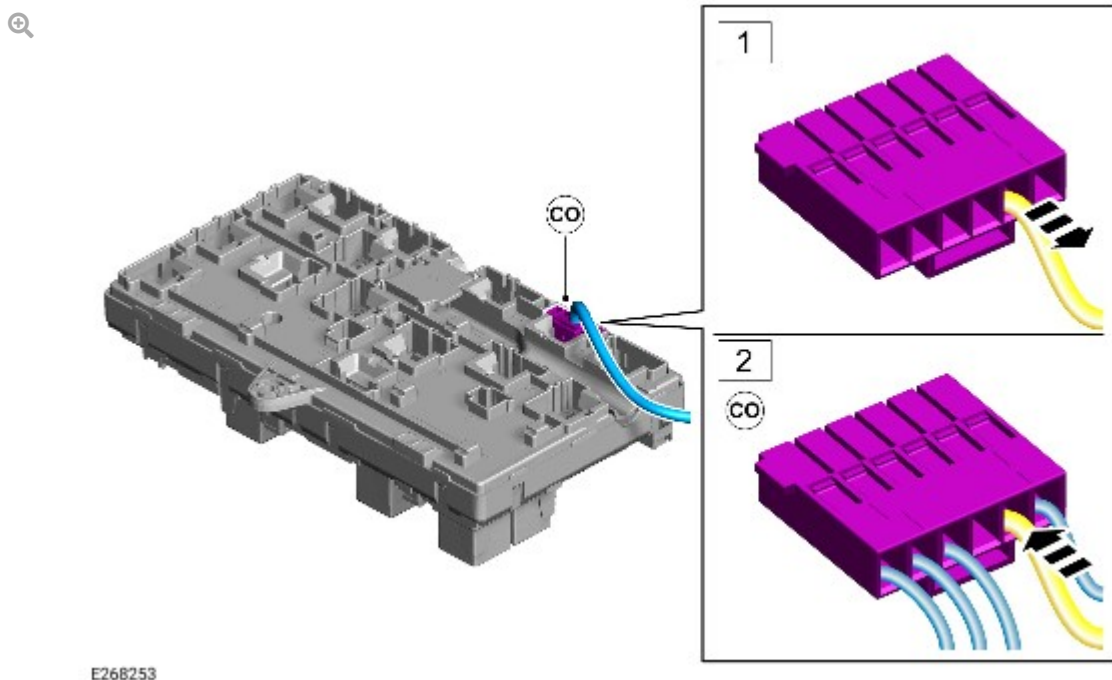
E269113

Cut cable tie and release junction box from bottom clips.

22.

NOTE:

Observe orientation of the Engine Junction Box (EJB) connector (CO) as illustrated when inserting earth lead.

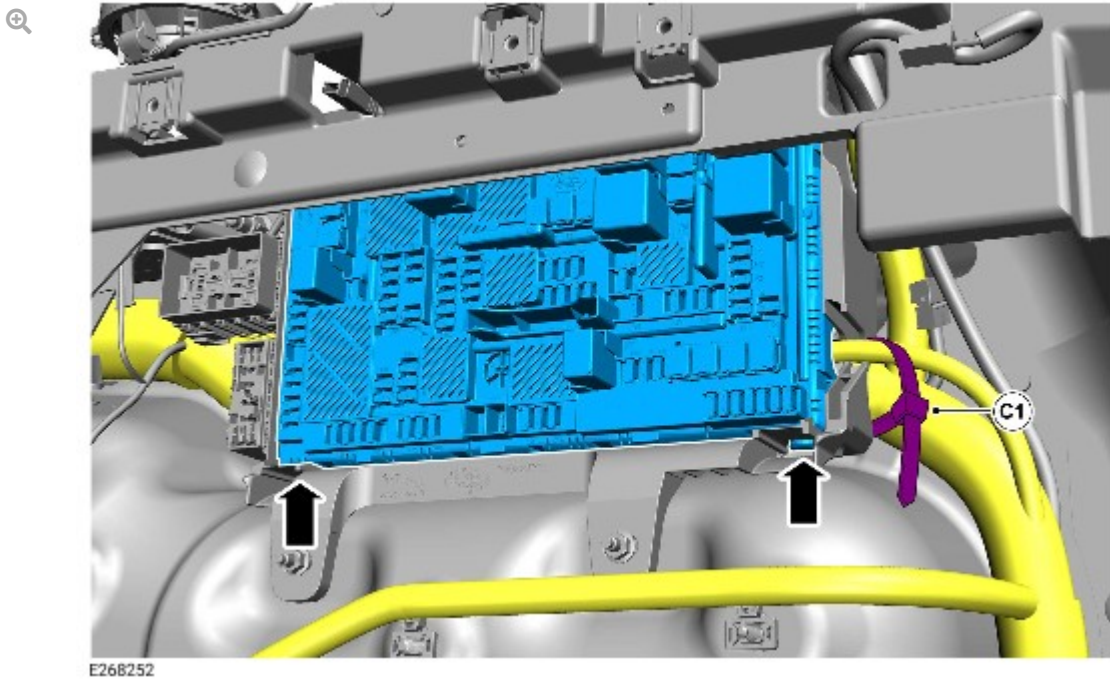


E268253

Install towing harness to back of junction box.

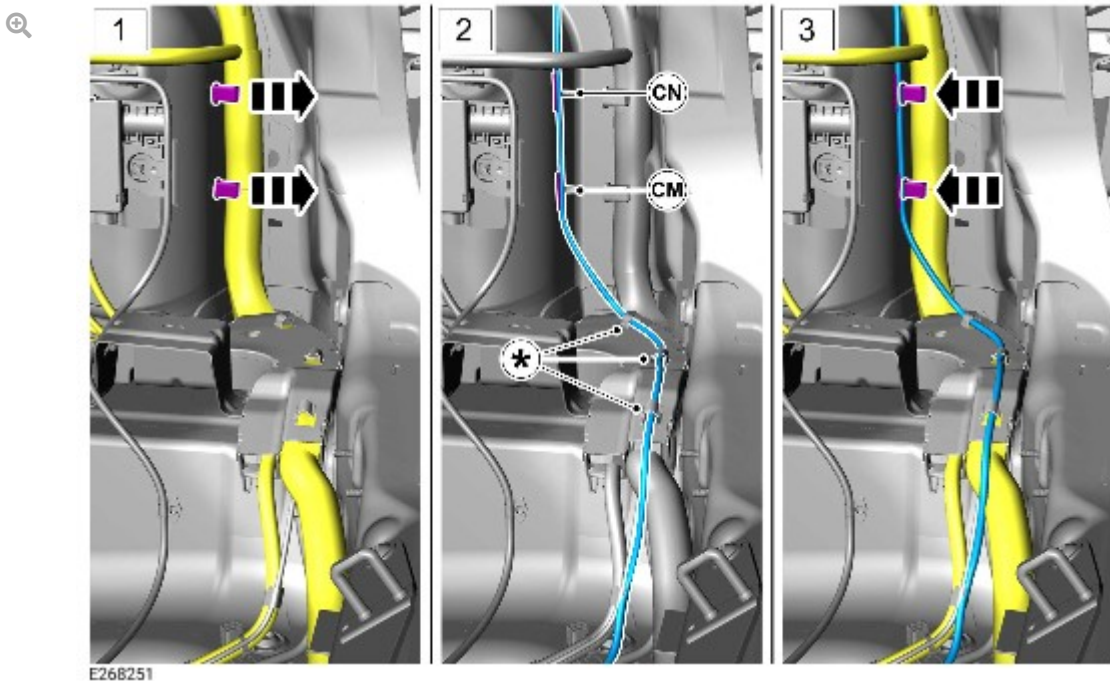
1. There will already be a connector in the location above when you remove the junction box. This will need to be disconnected and the earth lead de-pinned from the connector.
2. Install the de-pinned earth cable from (1) and install it in the same position into connector (CO). Then install connector.

23.



Reconnect fusebox by the lower clips (a clicking sound will alert you it is securely in place), and then cable tie (C1).

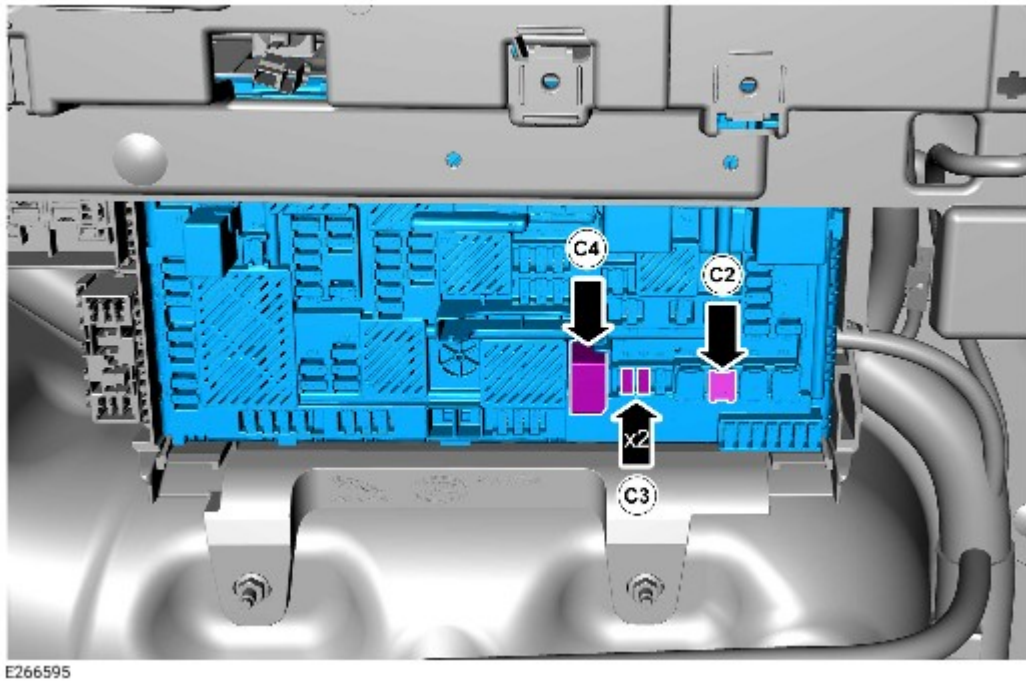
24.



Pull back right side trim panel and install towing harness (C).

1. Remove body harness stud clips (x2) from right side of loadspace .
2. Feed towing harness through clips annotated (*). Install towing harness to 2 studs with fixings (CN and CM).
3. Refit body harness to the two studs.

25.

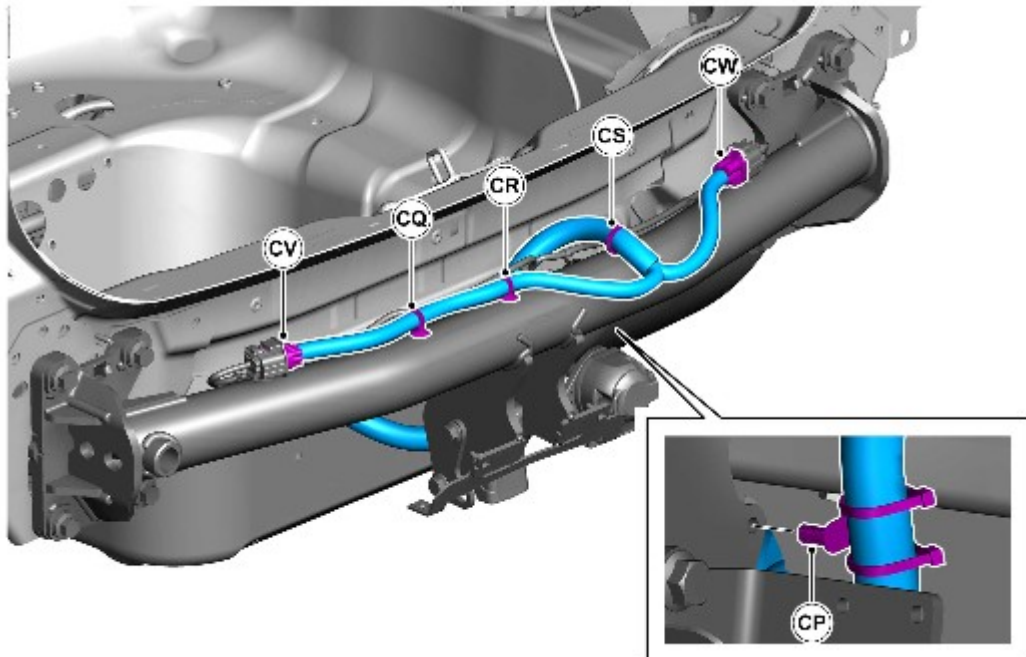


E266595

Connect fuses.

1. Fuse (C2) = F71.
2. Fuses (C3) = F67 and F68.
3. Fuse (C4) = R7.

26.



E266109

Install towing harness to towbar as illustrated.

27. Reconnect battery (reversal of removal step 7).

28.

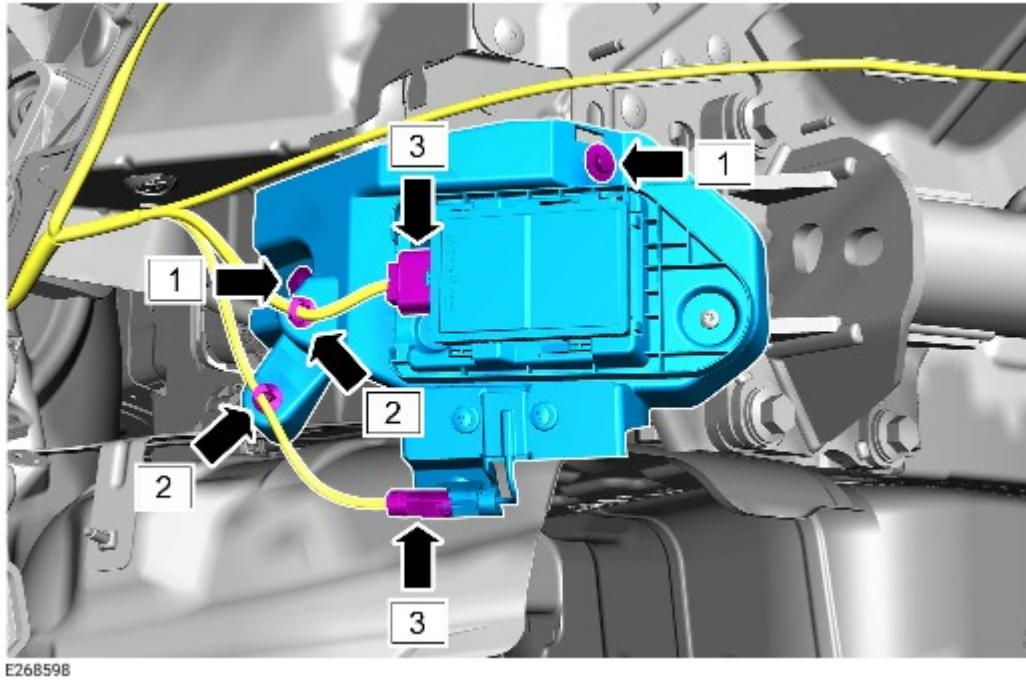


E198888

Begin diagnostic procedure in parallel to the following trim installation steps.

1. Using the Jaguar Land Rover approved diagnostic equipment, update the towbar control module to the latest software.
2. Using the Jaguar Land Rover approved diagnostic equipment, configure the towbar hardware to enable towing on the vehicle.
3. To enable the new changes on the vehicle: Switch off the vehicle ignition and close all apertures. Lock the vehicle for 5 minutes.
4. After 5 minutes unlock the vehicle and perform a hard battery reset. Start the engine and make sure the "TOW BAR" icon is shown on the touchscreen.

29.

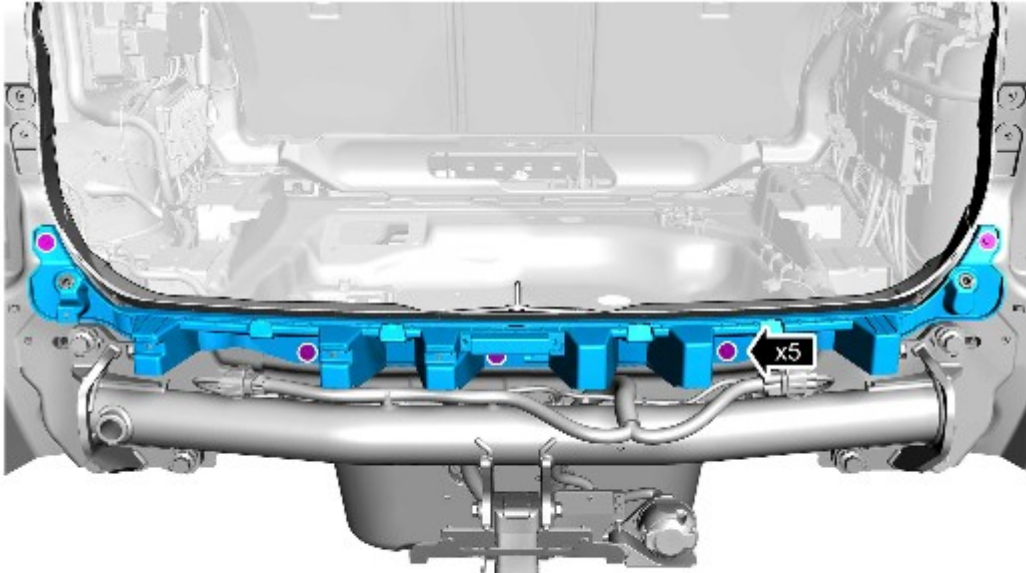


E268598

Refit the obstacle detection control module assembly on both sides of the vehicle.

1. Install (x2) bolts. **Torque: 10Nm**
2. Secure harness with (x2) clips.
3. Connect the (x2) connectors.

30.

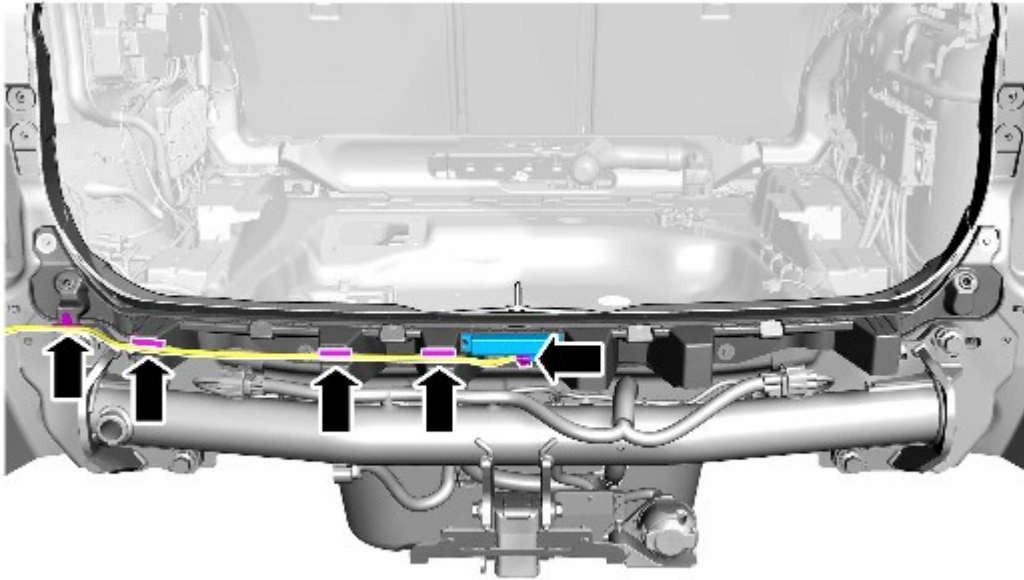


E266110

Refit rear bumper support bracket (x5) fixings.

- **Torque: 10Nm**

31.

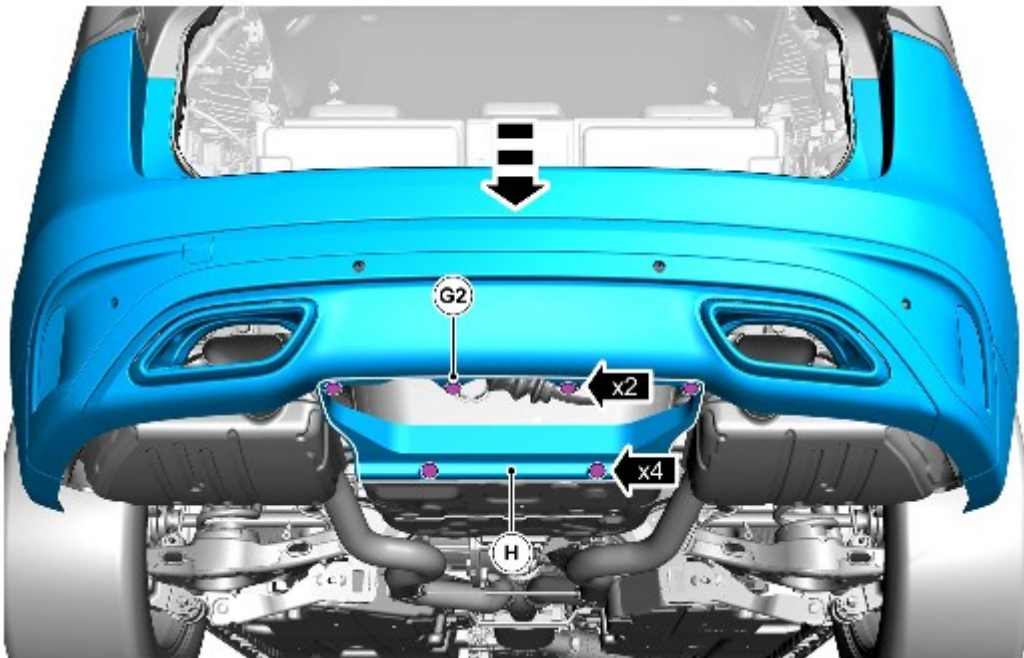


E266111

Refit the antenna module and harness.

1. Refit antenna module to bumper support bracket with (x2) bolts. **Torque: 10Nm**
2. Connect harness to antenna module and secure harness to bumper support bracket with (x4) clips.

32.



E266007

Reinstall rear bumper with the new bumper valance (H) and reuse the fixings from the old valance except for illustrated (x2) (G2) fixings.

- For additional information, refer to: [Rear Bumper - INGENIUM I4 2.0L Diesel AJ21/INGENIUM I4 2.0L Petrol/INGENIUM I6 3.0L Diesel/INGENIUM I6 3.0L Petrol](#) (501-19, Removal and Installation).

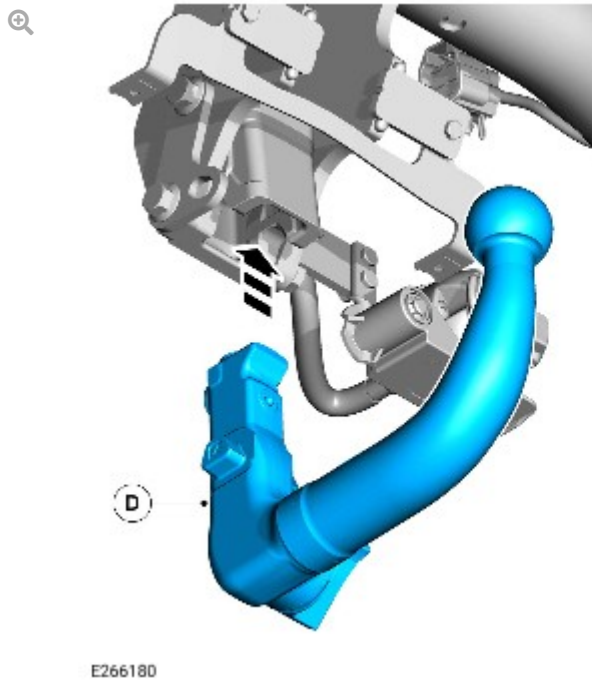
33. Refit all trims (reversal of removal steps 6 to 2).

34. Fold up second row seats.

35.

NOTE:

Detachable towbar only.

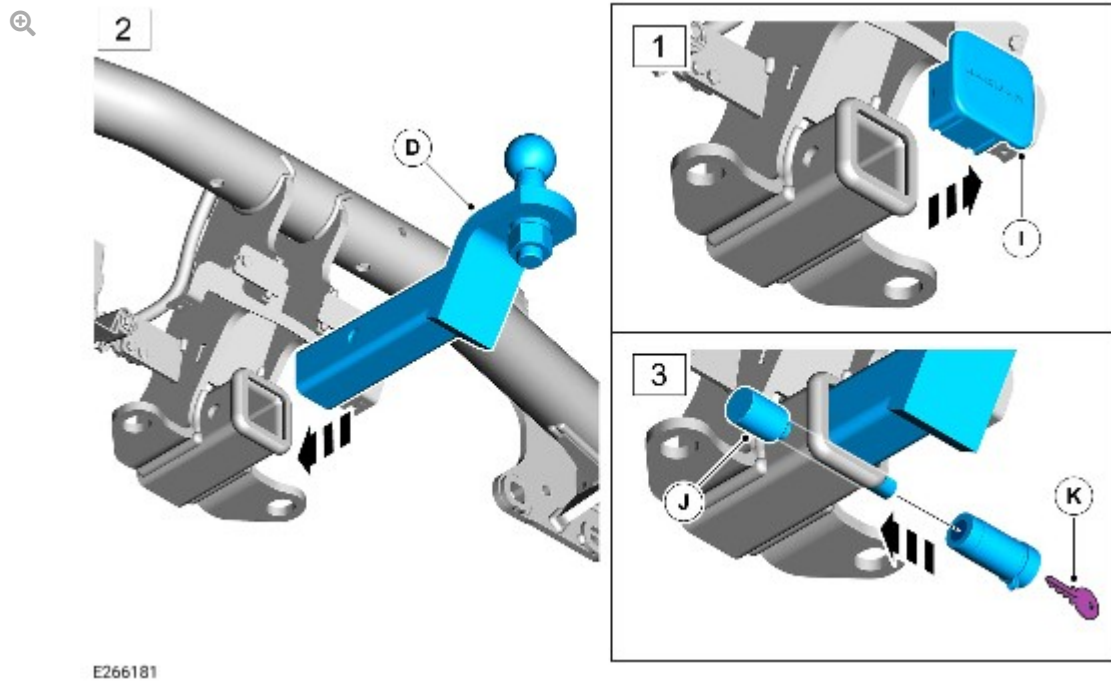


To install the detachable ball please refer to the Owner's Handbook.

36.

NOTE:

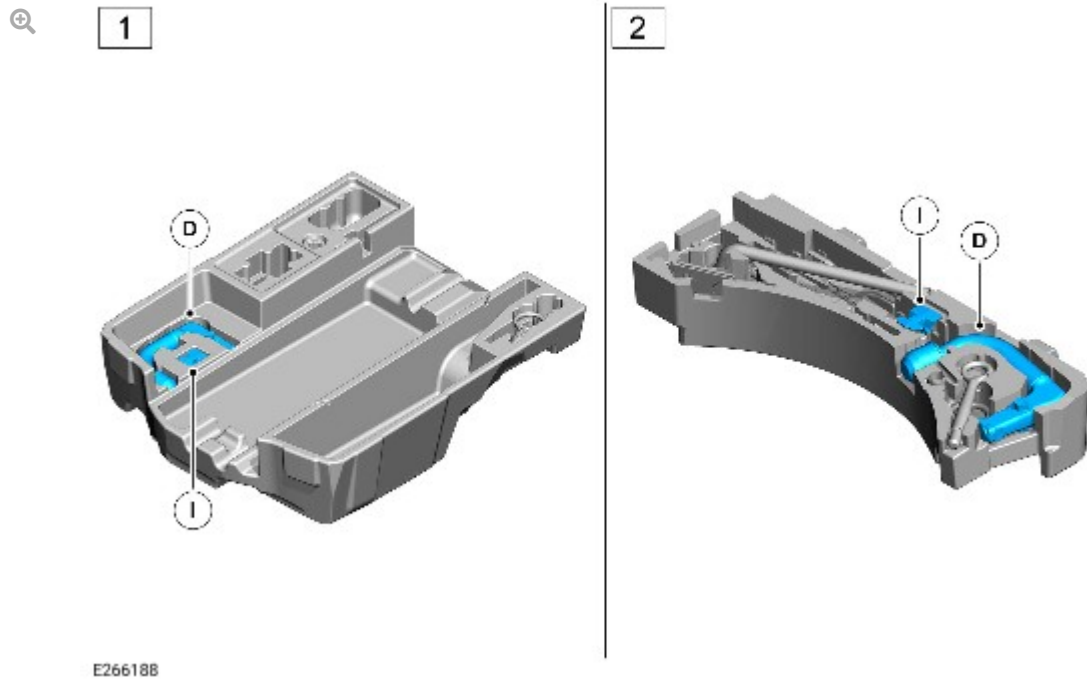
NAS and Australian towbar only.



Install tow ball.

1. Remove dirt cover (I).
2. Insert tow ball (D) into socket.
3. Insert locking hitch pin (J) through hole and lock with key (K).

37.

NOTE:Detachable towbar storage for non PHEV vehicles.

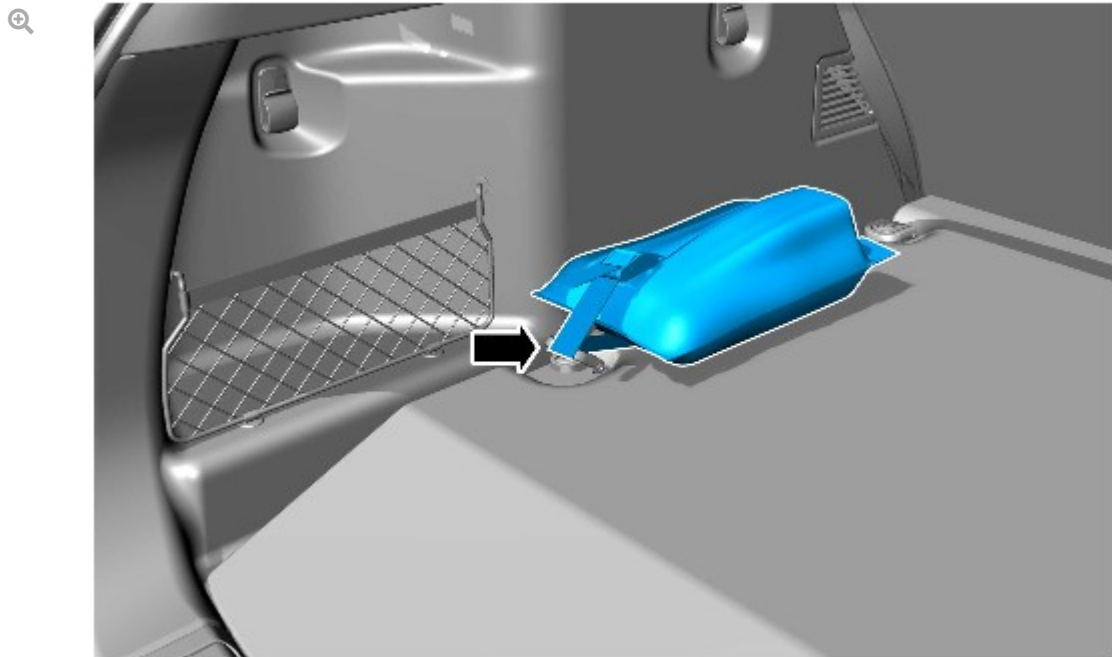
When not using the detachable ball (D) and dirt cover (I) you can store here.

1. Vehicles without a spare wheel.
2. Vehicles with a spare wheel.

38.

NOTE:

Detachable towbar storage for PHEV vehicle only.



E275665

Use the bag in the kit to store the detachable ball (D). Then tie the bag to one of the D-loops in the loadspace as illustrated.

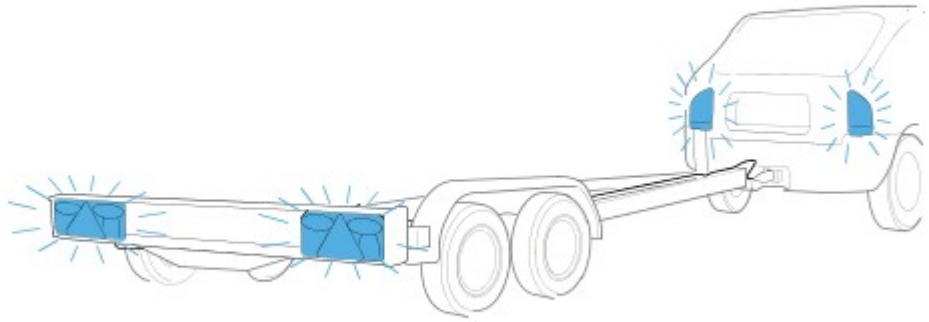
39.



E198888

Check for Diagnostic Trouble Code(s) (DTC) on Pathfinder.

40.

**E223805**

Check the operation of the trailer lamps and the vehicle lamps. Both trailer and vehicle lights must be synchronised.