

TOWING

DEPLOYABLE TOWBAR - HARDWARE PART NUMBER: T4A39451 (G2703308)

REMOVAL AND INSTALLATION

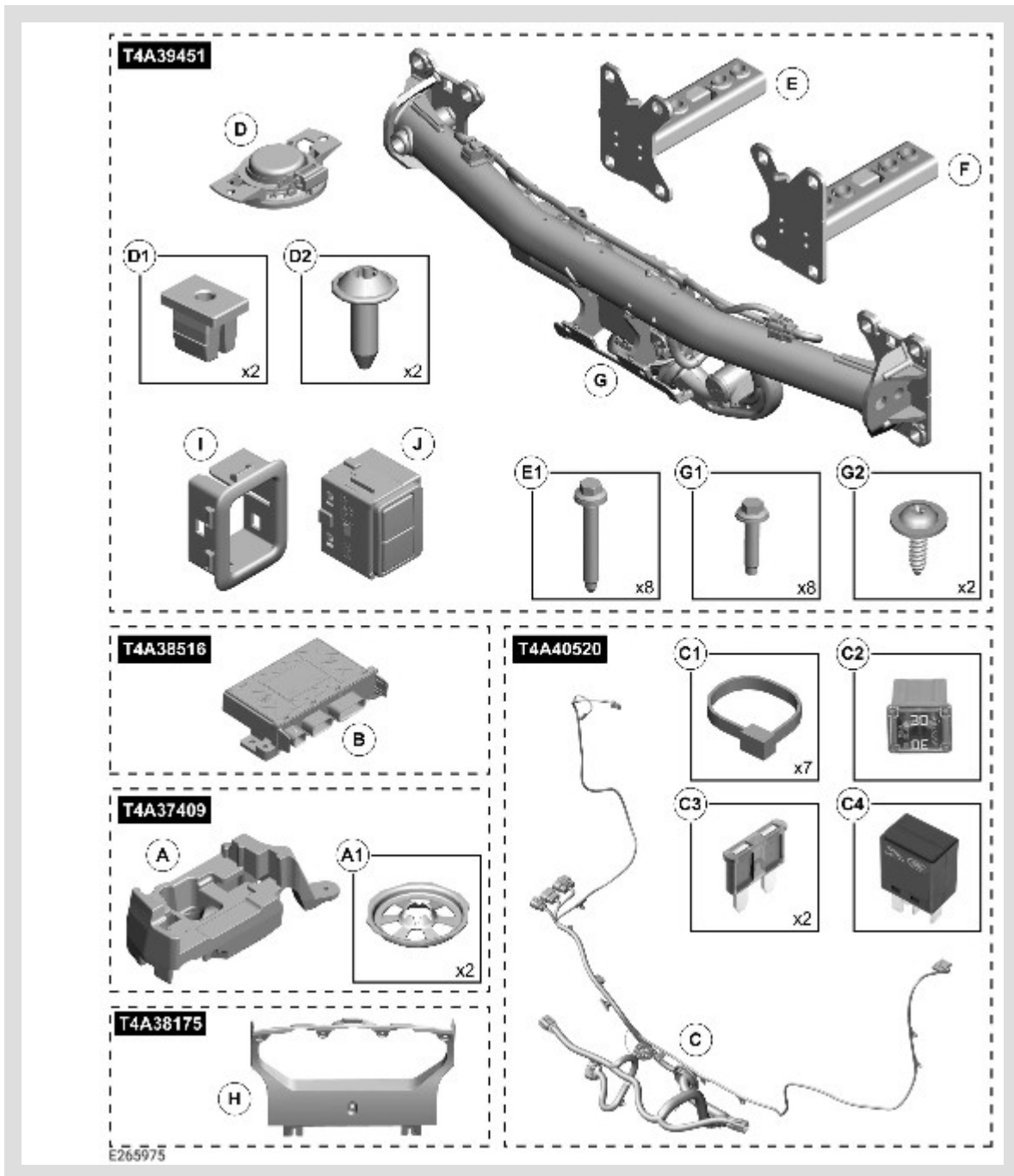
T4A39451 / T4A40520 / T4A38516 / T4A37409 / T4A38175

 **WARNING:**

Accessories which are not correctly installed can be dangerous. Read the instructions carefully prior to installation. Comply with instructions at all times. If in doubt, contact your nearest approved retailer.

 **NOTE:**

Tow Bar Control Module (TBM) (B) and holder (A) will not need to be ordered if you already have deployable side step accessory fitted to your vehicle.



NOTE:

Motor vehicle data, deployable towbar.

	SPECIFICATIONS
Type	5741
D-value	12.38 kN
Vertical coupling load	100kg
Coupling class	A50-X
Manufacturer	Brink Towing Systems B.V.
Model application	F-Pace

	SPECIFICATIONS
EC-type approval number towbar	E11 5RR0110480
Maximum trailer weight	2400kg (2000kg Plug-in Hybrid Electric Vehicle (PHEV))

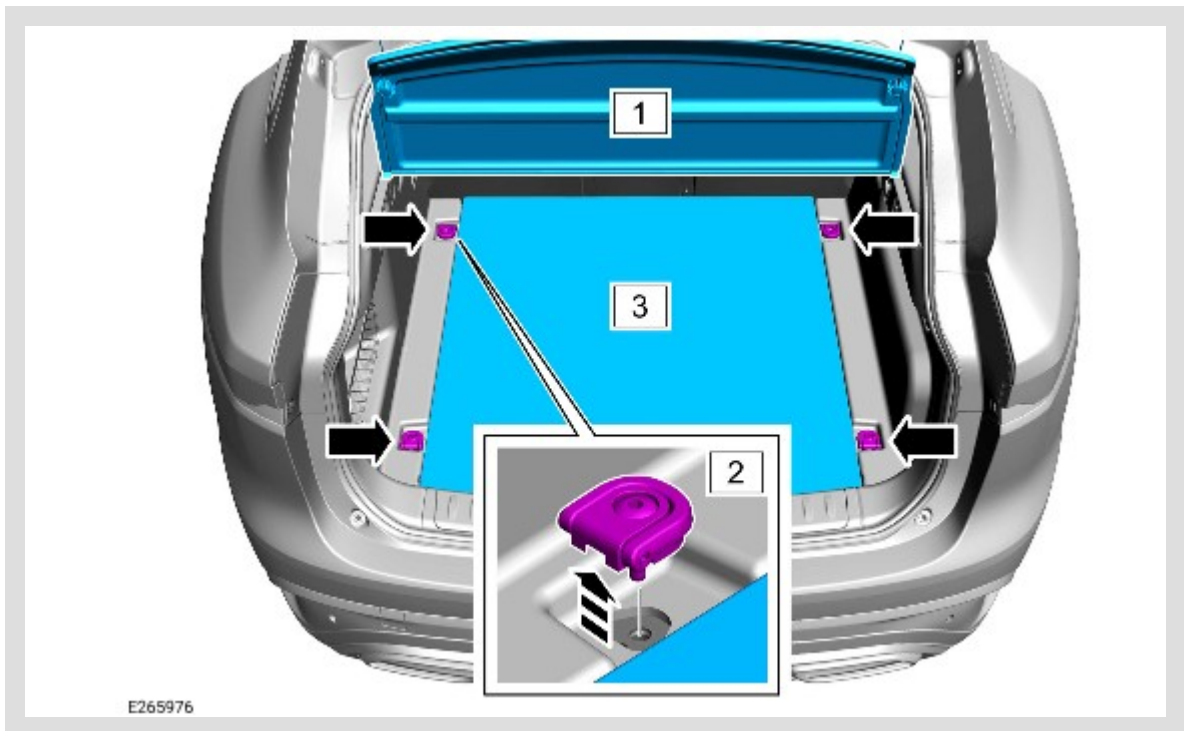
REMOVAL

1. Fold down second row seats. Please see Owner's Handbook if unsure how to do this.

2.

NOTE:


Appearance of the loadspace stowage compartment will vary depending on the vehicle specification.



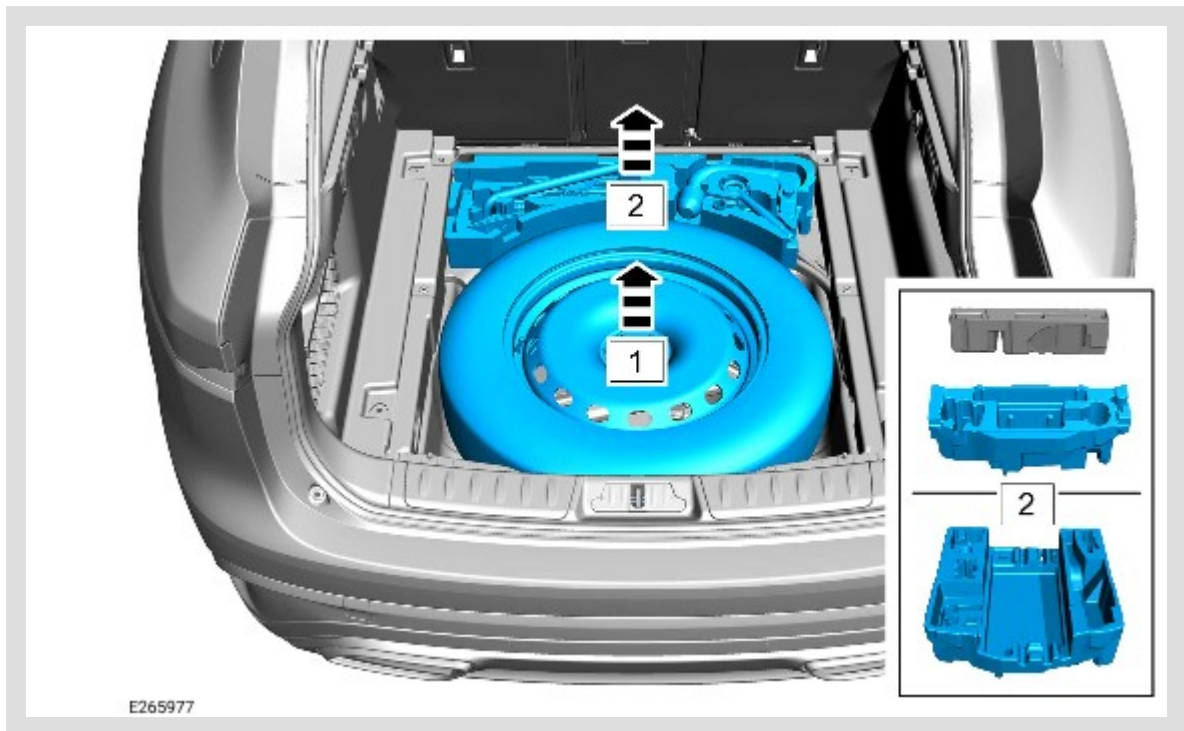
Remove parts in this order.

1. Remove parcel shelf.
2. Remove (x4) D-loops.
3. Remove loadspace floor.

3.

 **NOTE:**

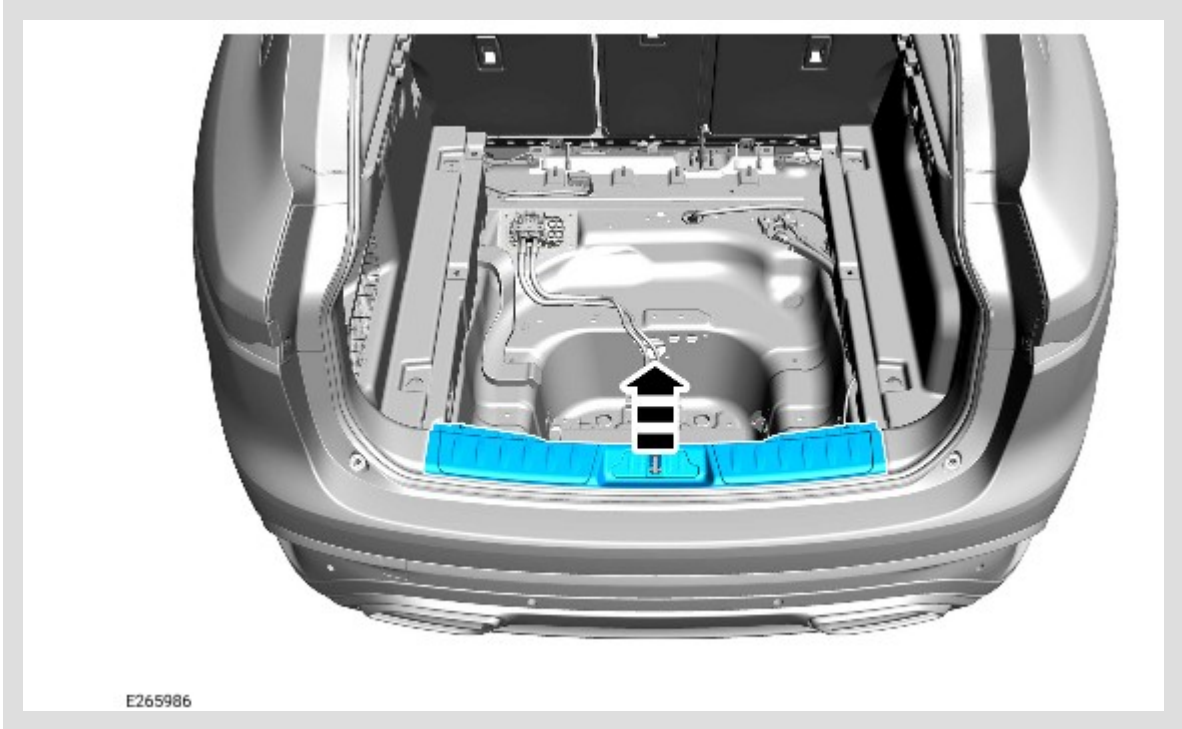
Appearance of the loadspace stowage compartment will vary depending on the vehicle specification.



Remove parts in this order.

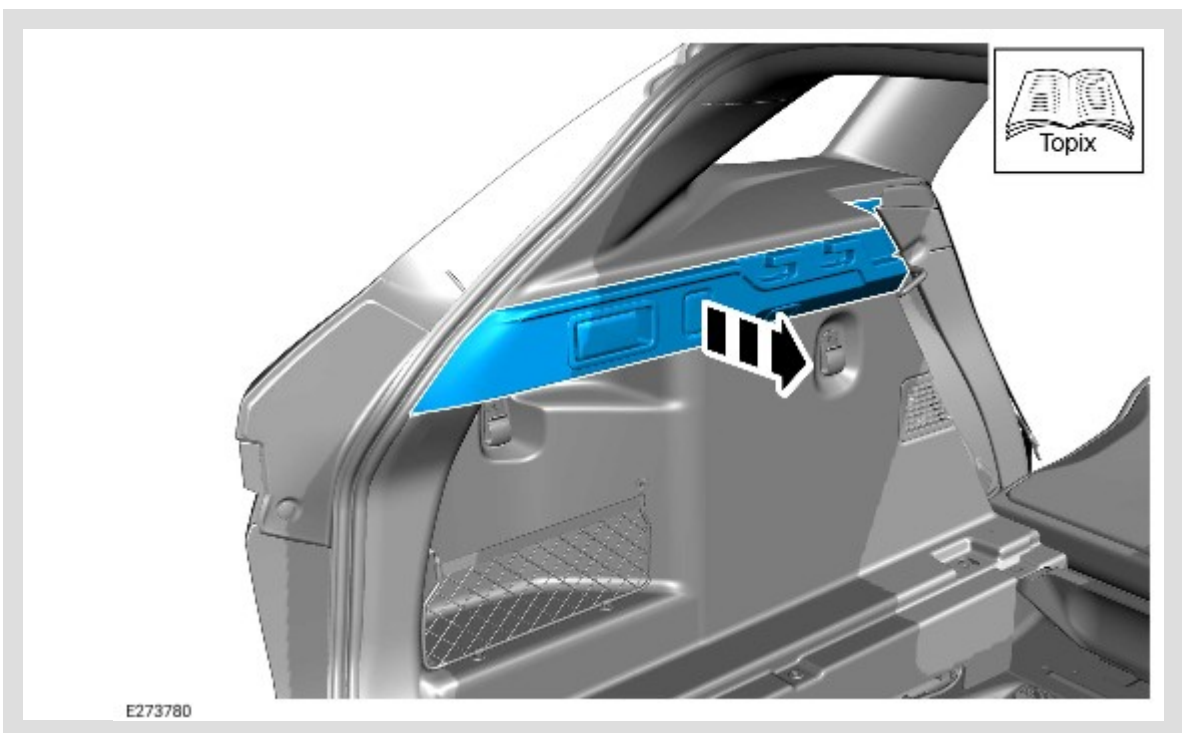
1. Remove spare wheel (if one is present).
2. Remove tool foam tray depending on vehicle specification.

4.



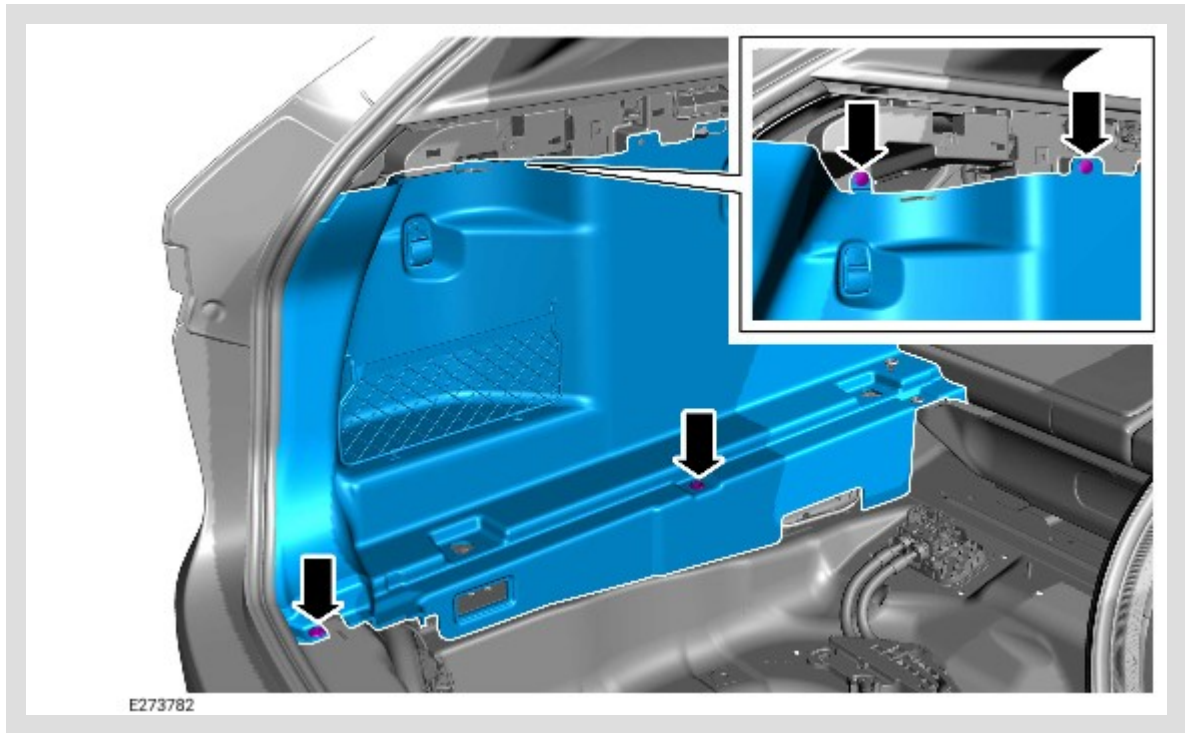
Remove loadspace scuff plate trim panel. For additional information, refer to: Loadspace Scuff Plate Trim Panel (501-05 Interior Trim and Ornamentation, Removal and Installation).

5.




Remove both left and right C-Pillar trim panel. For additional information, refer to: C-Pillar Trim Panel (501-05 Interior Trim and Ornamentation, Removal and Installation).

6.

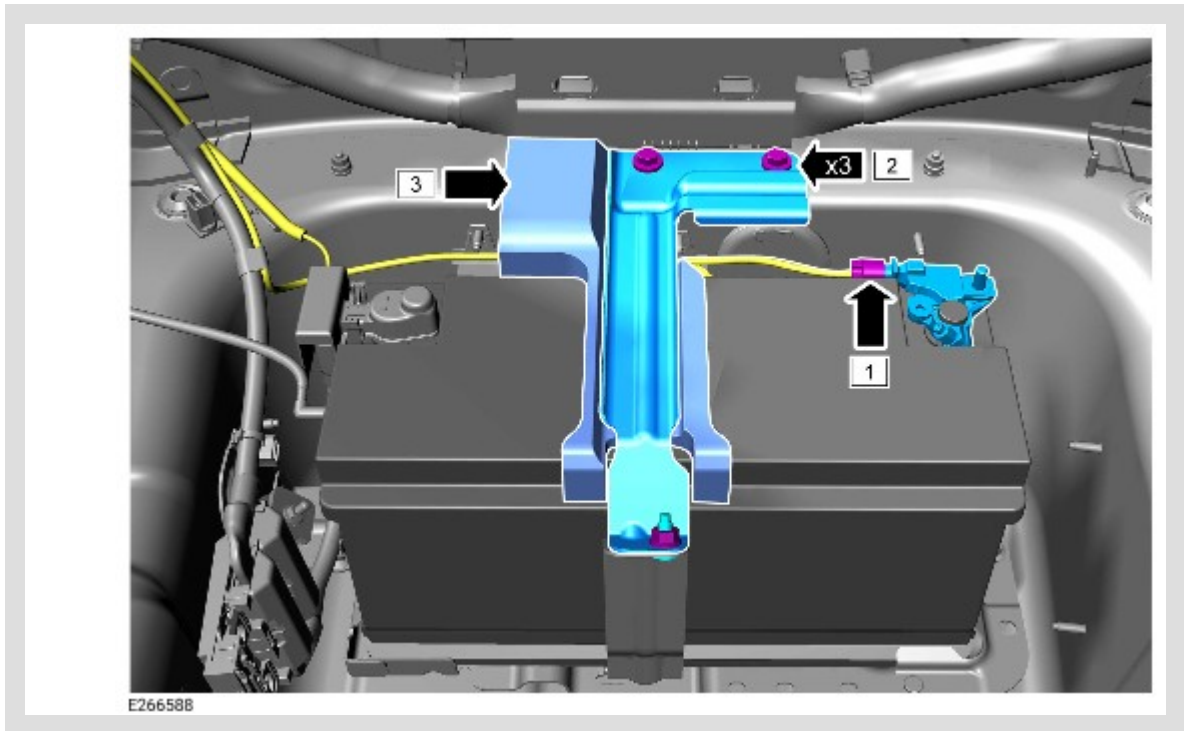


Partially remove both left and right side trim panel by removing 4 clips on each side for access.

7.

 **NOTE:**

Appearance of the battery will vary depending on the vehicle specification, but the essential information is always correct.



Disconnect battery.

1. Disconnect negative battery terminal connector from battery.
2. Remove battery bracket (x3) fixings.
3. Remove rubber foam.

8.

Raise vehicle on post ramp.



Remove rear bumper.

1. For additional information, refer to: Rear Bumper - INGENIUM I4 2.0L Diesel/INGENIUM I4 2.0L Petrol/TDV6 3.0L Diesel /V6 S/C 3.0L Petrol (501-19 Bumpers, Removal and Installation).

⚠ WARNING:

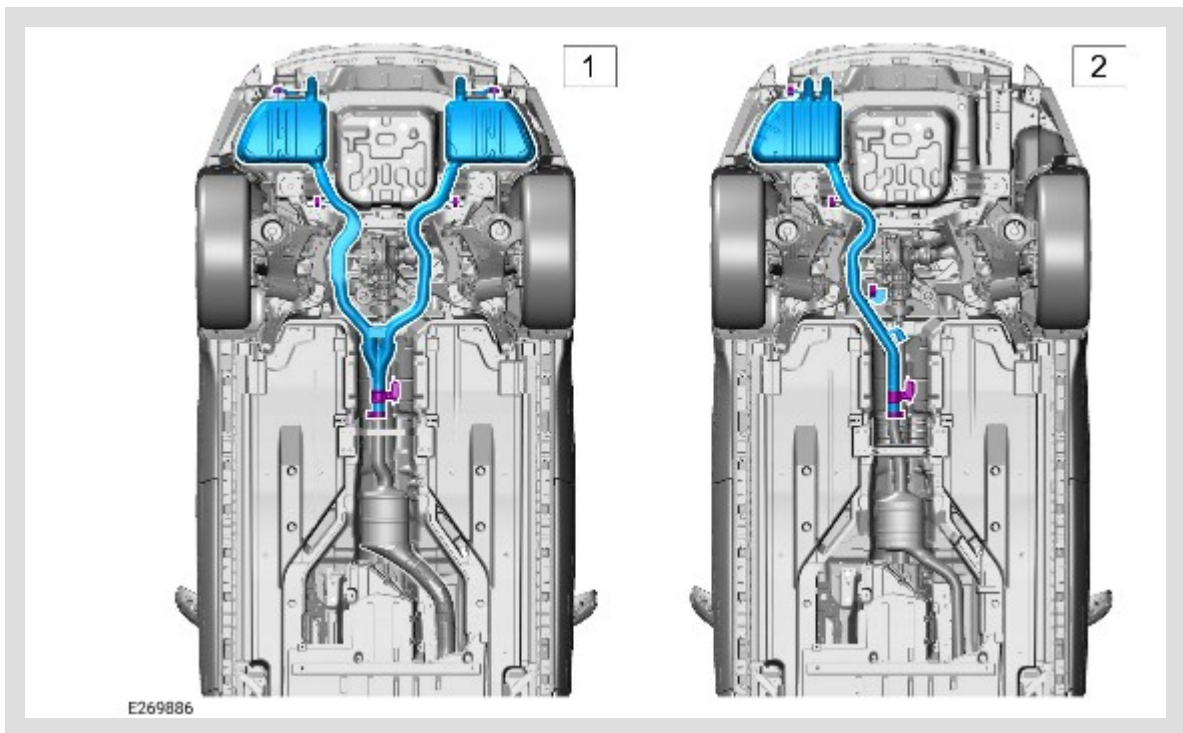
Observe due care when working near a hot exhaust system.

⚠ CAUTION:

Make sure the exhaust system is supported at all times.

△ NOTE:

This step shows the variants of diesel exhaust systems.



Drop rear exhaust sufficiently enough to gain access to area between rear silencer and rear floor for installation of fixings (E1) in install step 1.

1. 3.0L Diesel. For additional information please see Workshop Manual section 309-00E in Topix.
2. 2.0L Diesel. For additional information please see Workshop Manual section 309-00A in Topix.

⚠ WARNING:

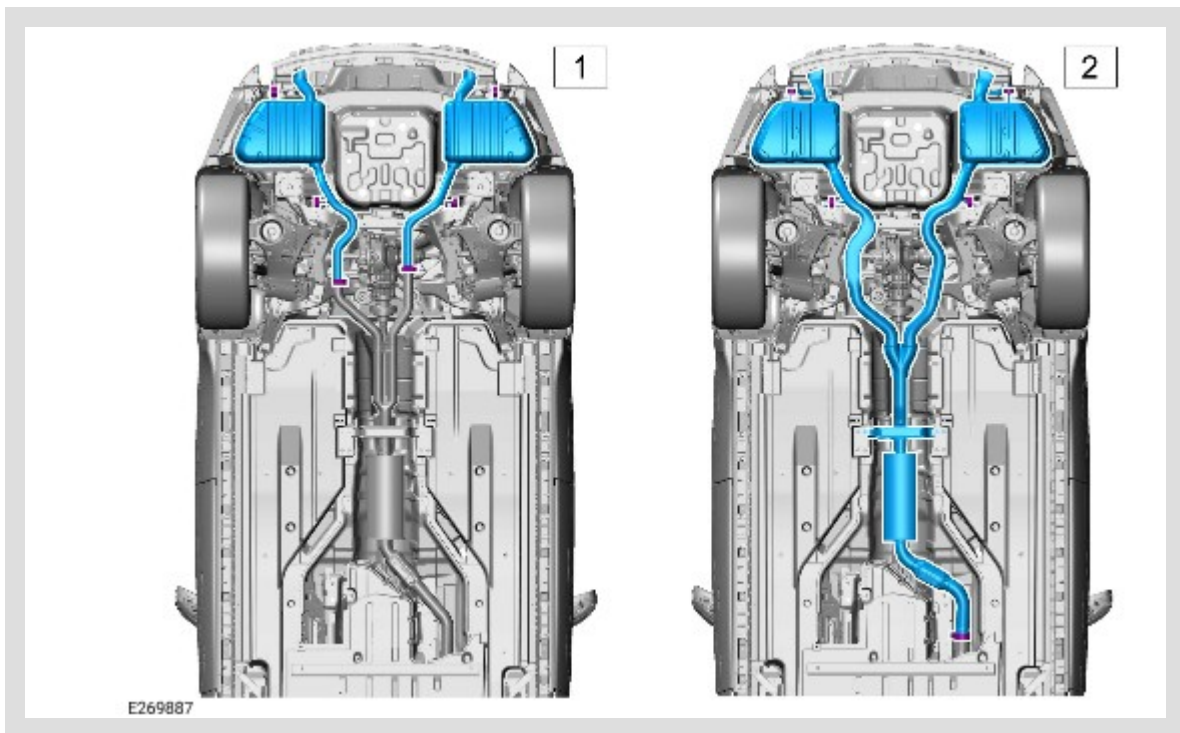
Observe due care when working near a hot exhaust system.

⚠ CAUTION:

Make sure the exhaust system is supported at all times with workshop stand.

△ NOTE:

This step shows the variants of petrol exhaust systems.



Drop rear exhaust sufficiently enough to gain access to area between rear silencer and rear floor for installation of fixings (E1) in install step 1.

1. 2.0L Petrol. For additional information please see Workshop Manual section 309-00B in Topix.
2. 3.0L Petrol. For additional information please see Workshop Manual section 309-00D in Topix.

12.

⚠ WARNING:

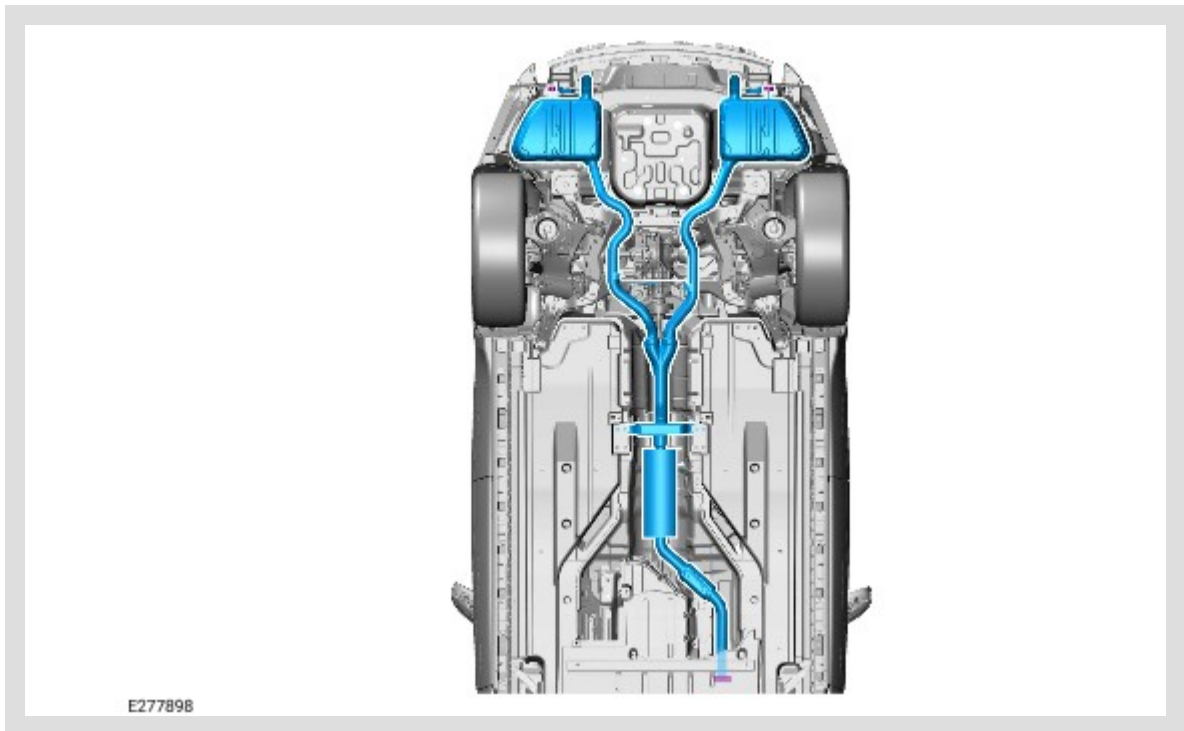
Observe due care when working near a hot exhaust system.

⚠ CAUTION:

Make sure the exhaust system is supported at all times with workshop stand.

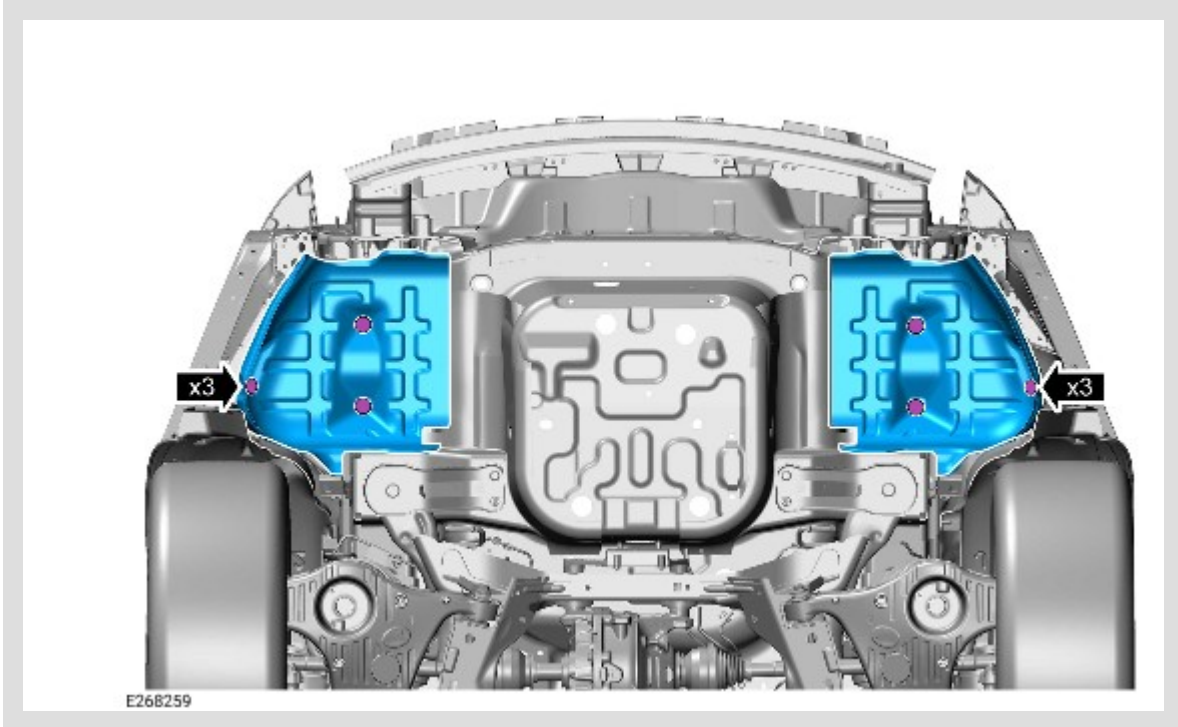
△ NOTE:

This step shows the PHEV exhaust system.



Drop rear exhaust sufficiently enough to gain access to area between rear silencer and rear floor for installation of fixings (E1) in install step 1.

13.



Remove one or two exhaust heatshields depending on vehicle specification with (x3) fixings for each heatshield.

14.



Remove rear armature.

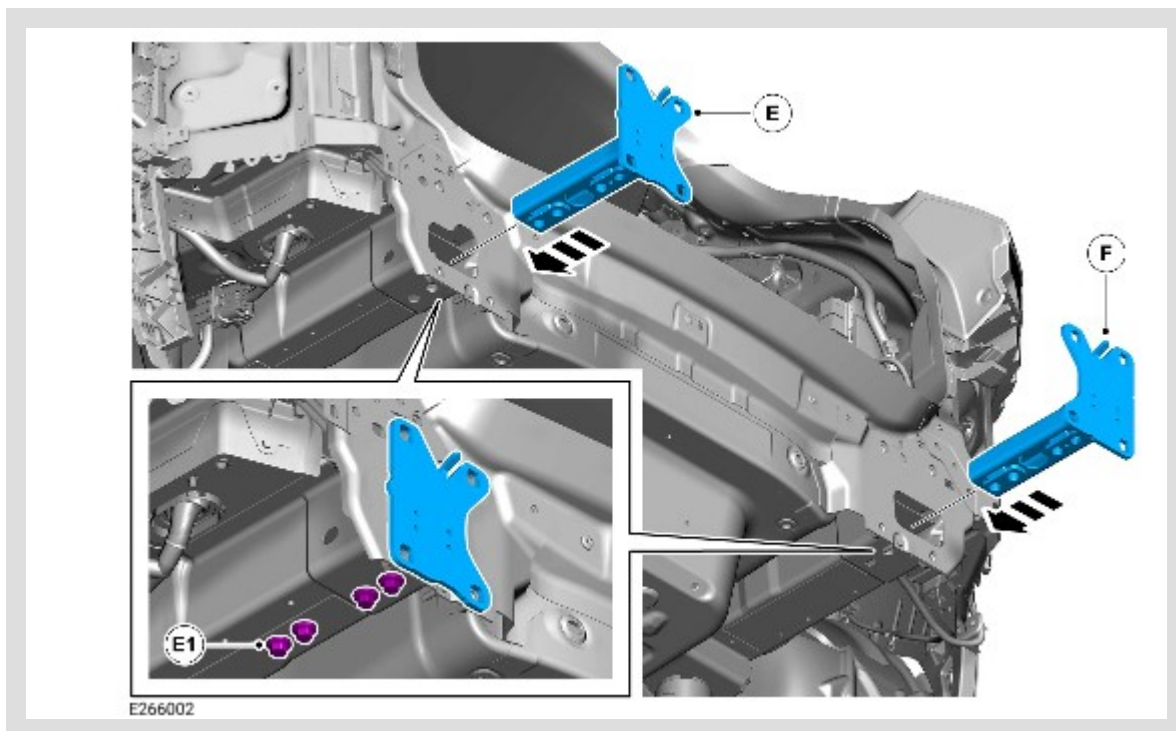
1. For additional information, refer to: Rear Armature - INGENIUM I4 2.0L Diesel/INGENIUM I4 2.0L Petrol/TDV6 3.0L Diesel /V6 S/C 3.0L Petrol (501-19 Bumpers, Removal and Installation).

INSTALLATION

1.

⚠ CAUTION:

At this stage only hand tighten fixings.

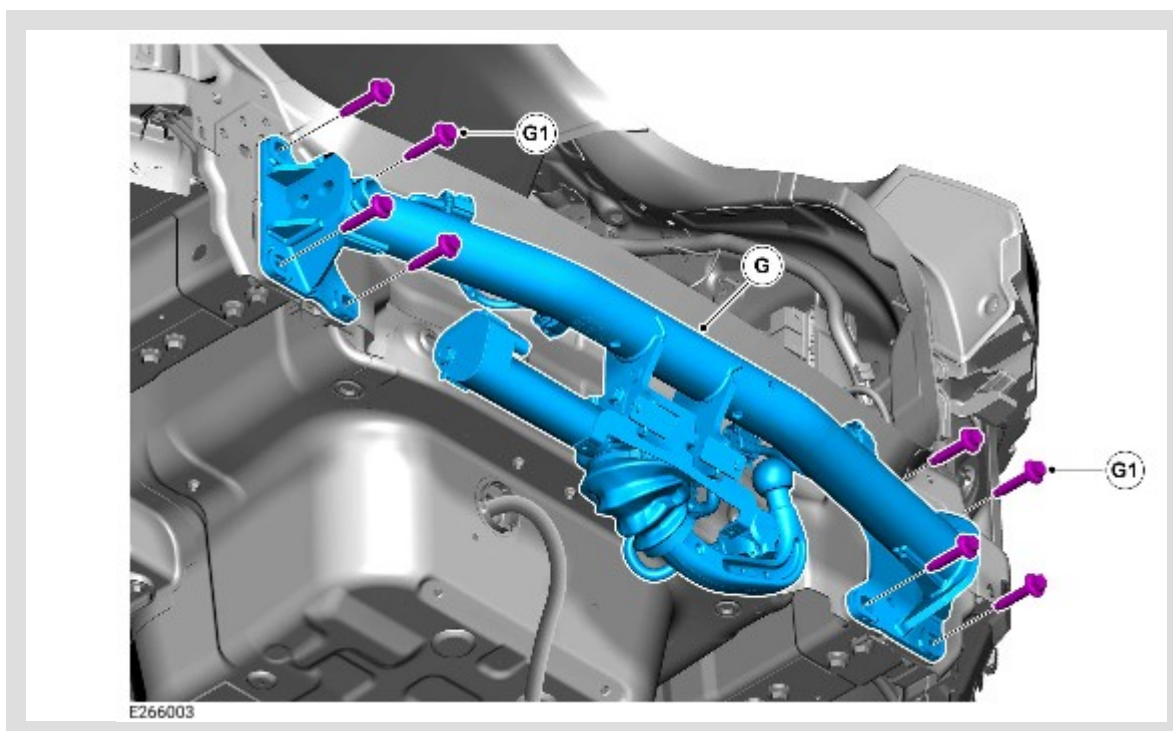


Install towbar brackets (E) and (F) to vehicle with (x8) fixings (E1).

2.

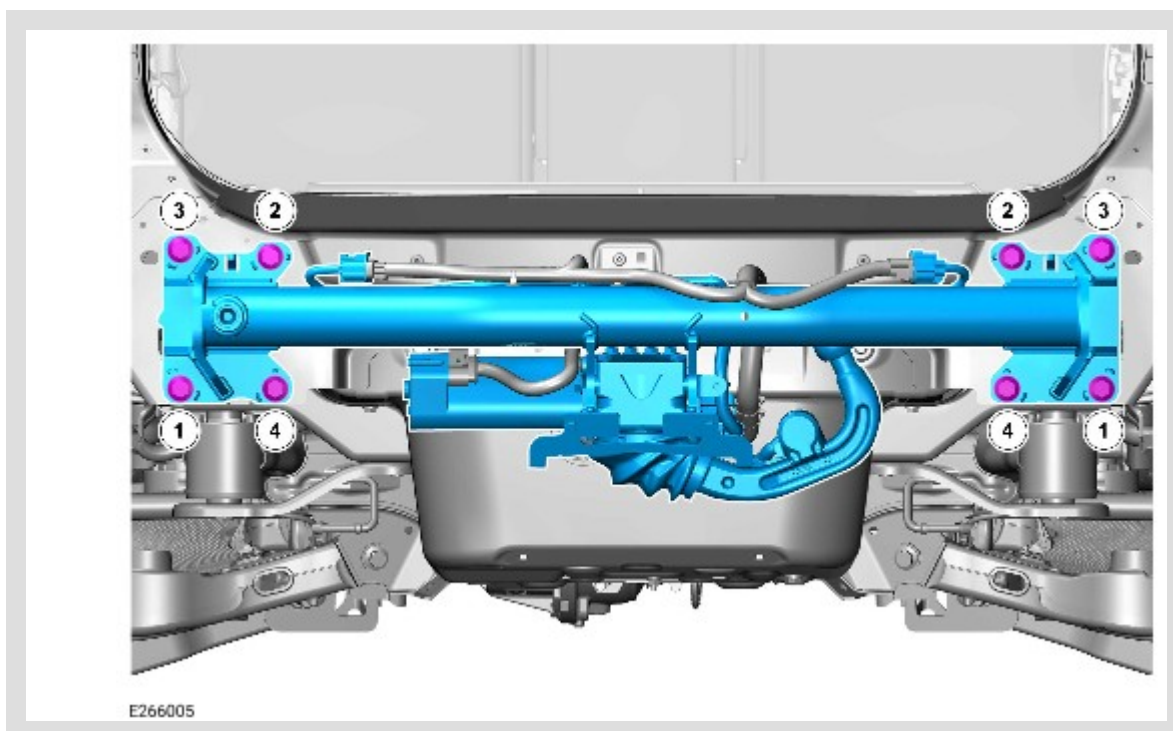
⚠ CAUTION:

At this stage only hand tighten fixings.



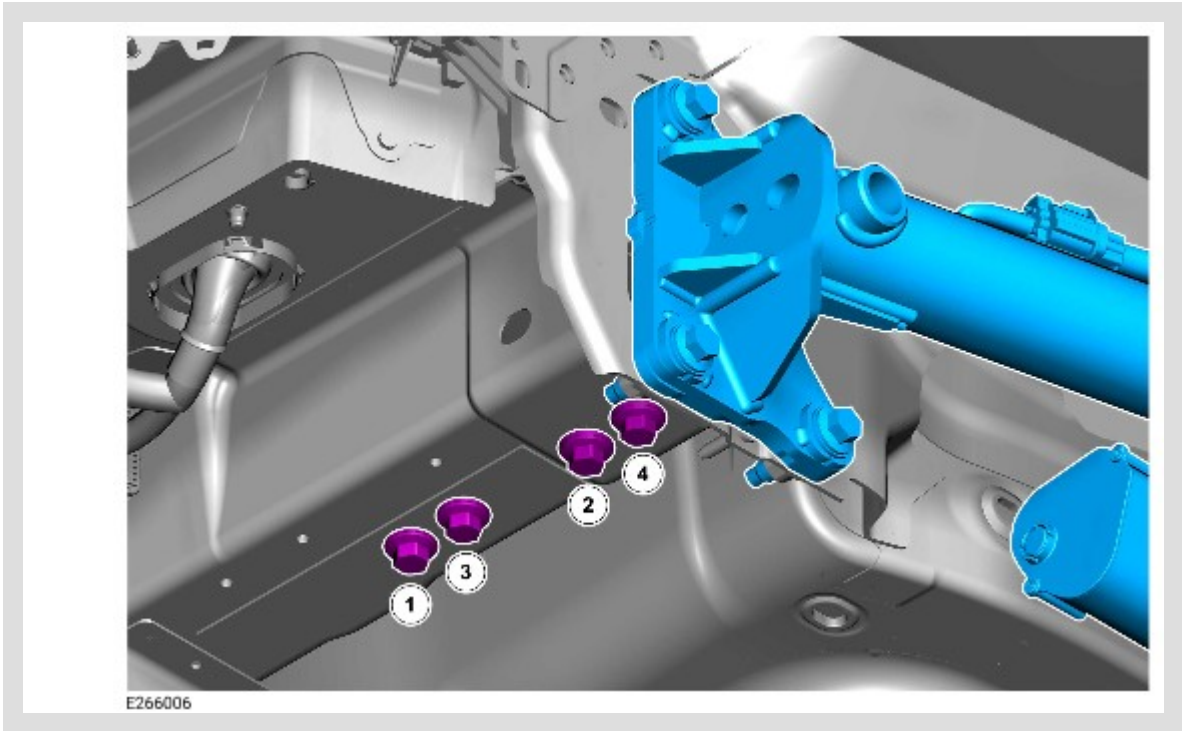
Install towbar (G) to vehicle with (x8) fixings (G1).

3.



Tighten towbar fixings in this order as illustrated. **Torque: 170Nm**

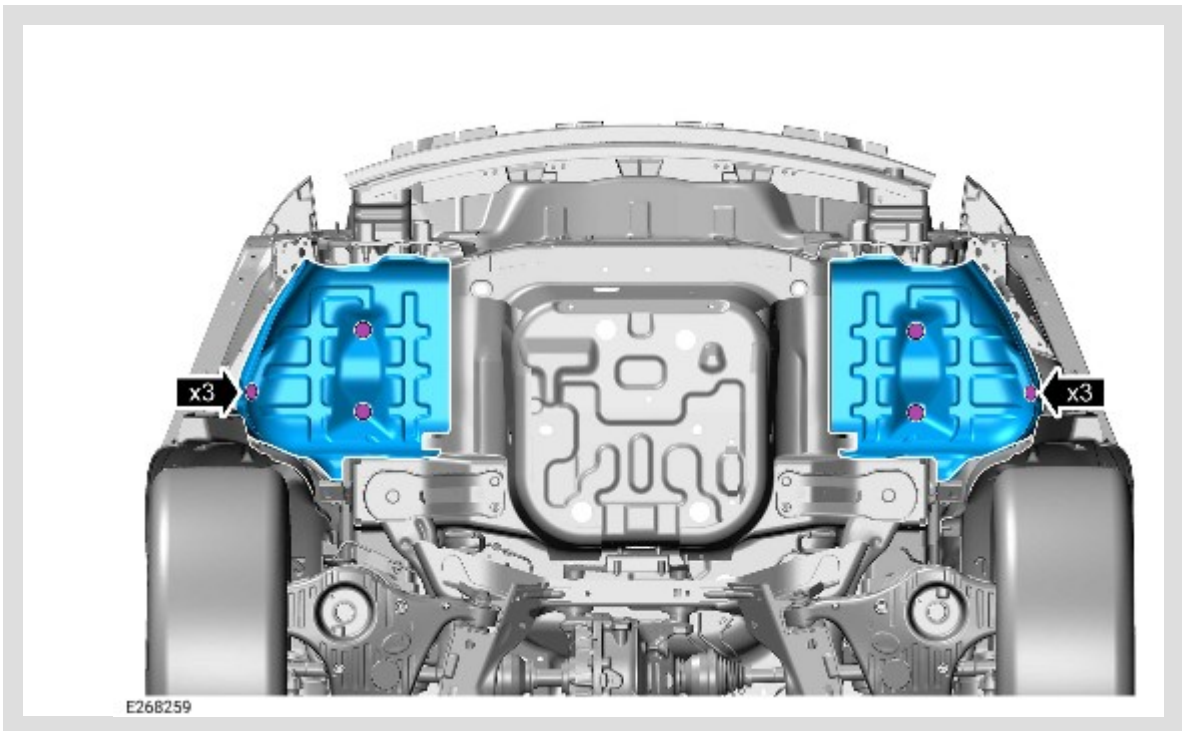
4.



Tighten towbar bracket fixings in this order as illustrated on both sides of the vehicle.

Torque: Stage 1: 100Nm, Stage 2: 240° +/- 5°

5.



Refit one or two exhaust heatshields depending on vehicle specification with (x3) fixings for each heatshield. **Torque: 10Nm**

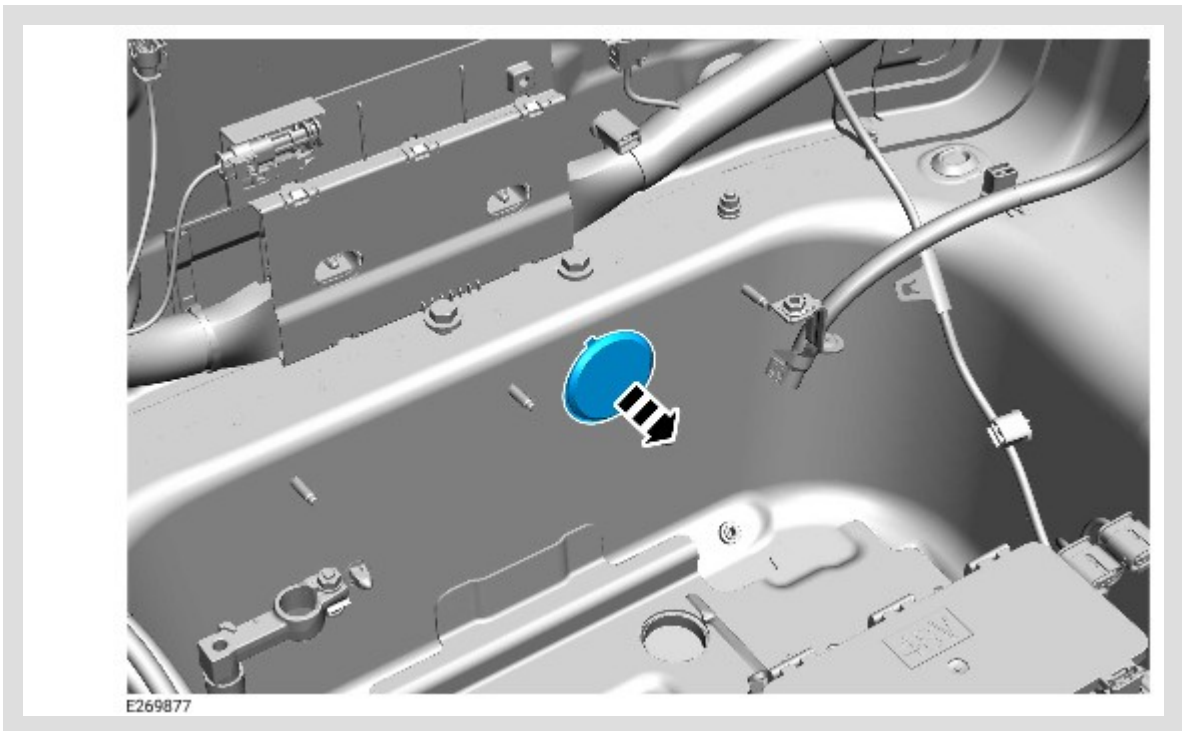
6.

Refit rear exhaust system covered in removal steps 10, 11 or 12.

7.


Lower vehicle on post ramp.

8.

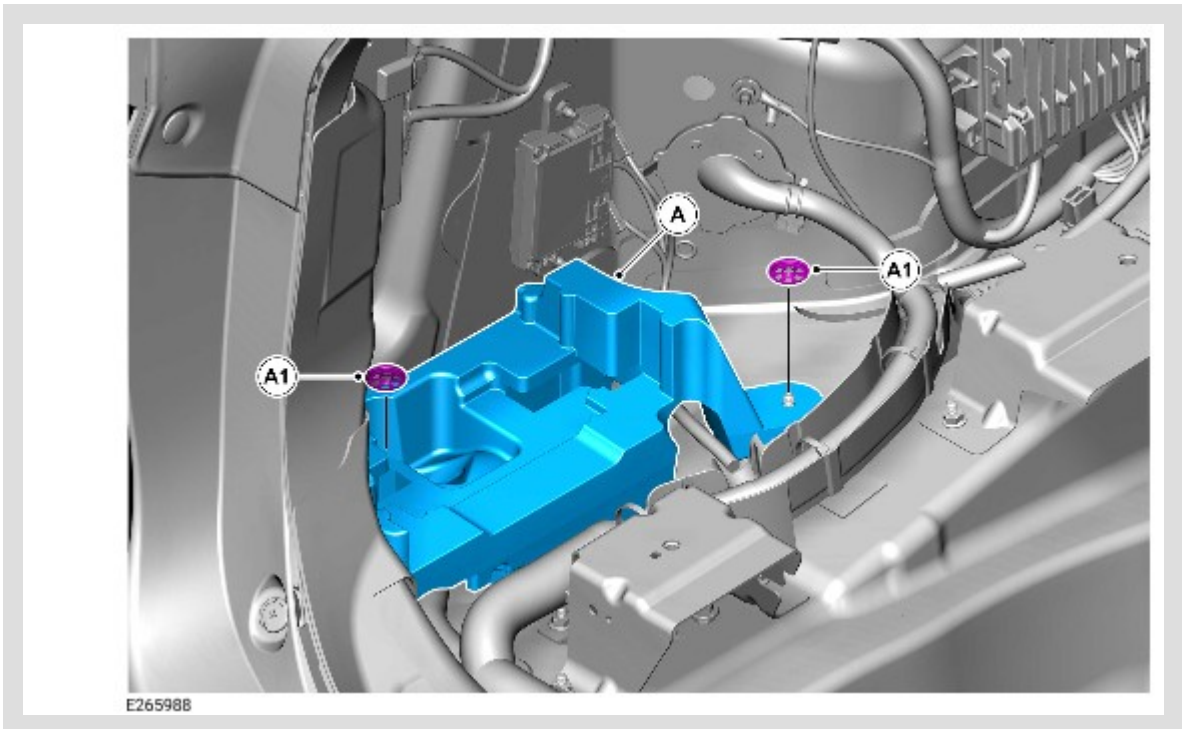


Remove grommet from spare wheel well.

9.

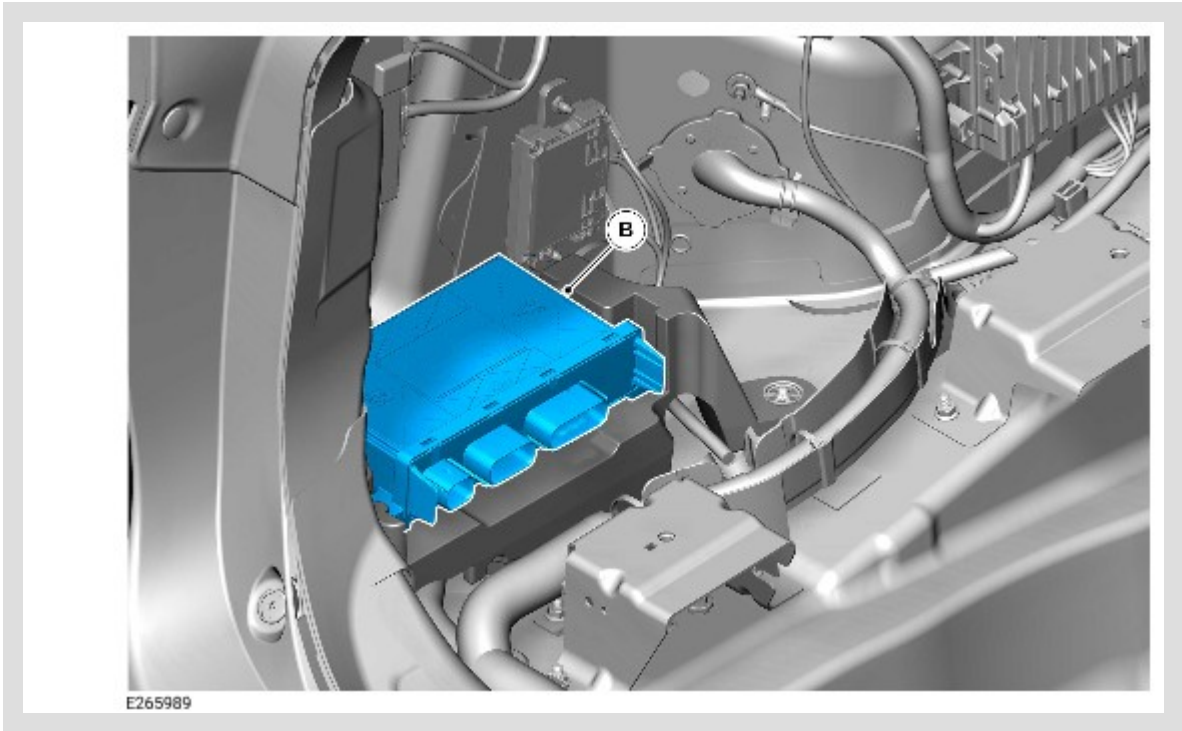
 **NOTE:**

Steps 9 and 10 will not need to be done if you already have deployable side steps accessory fitted to your vehicle.



Inside left loadspace install module holder (A) to body with (x2) fixings (A1).

10.

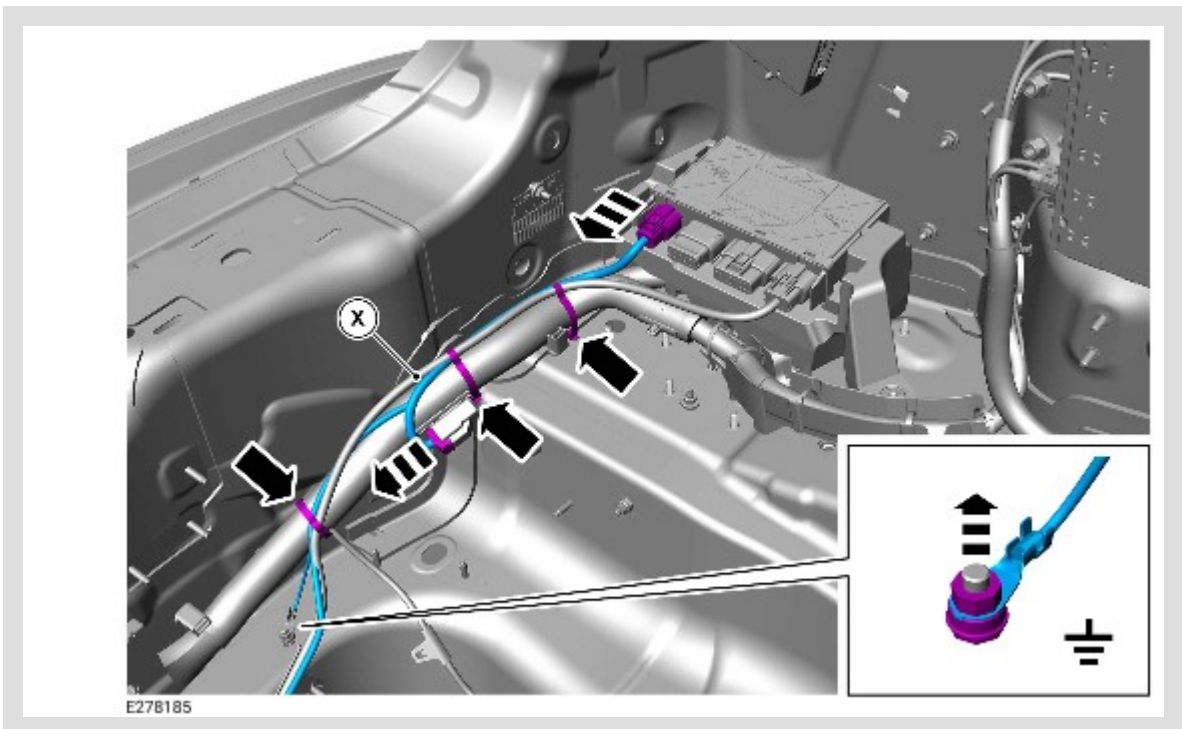


Install TBM (B) to module holder.

11.

NOTE:

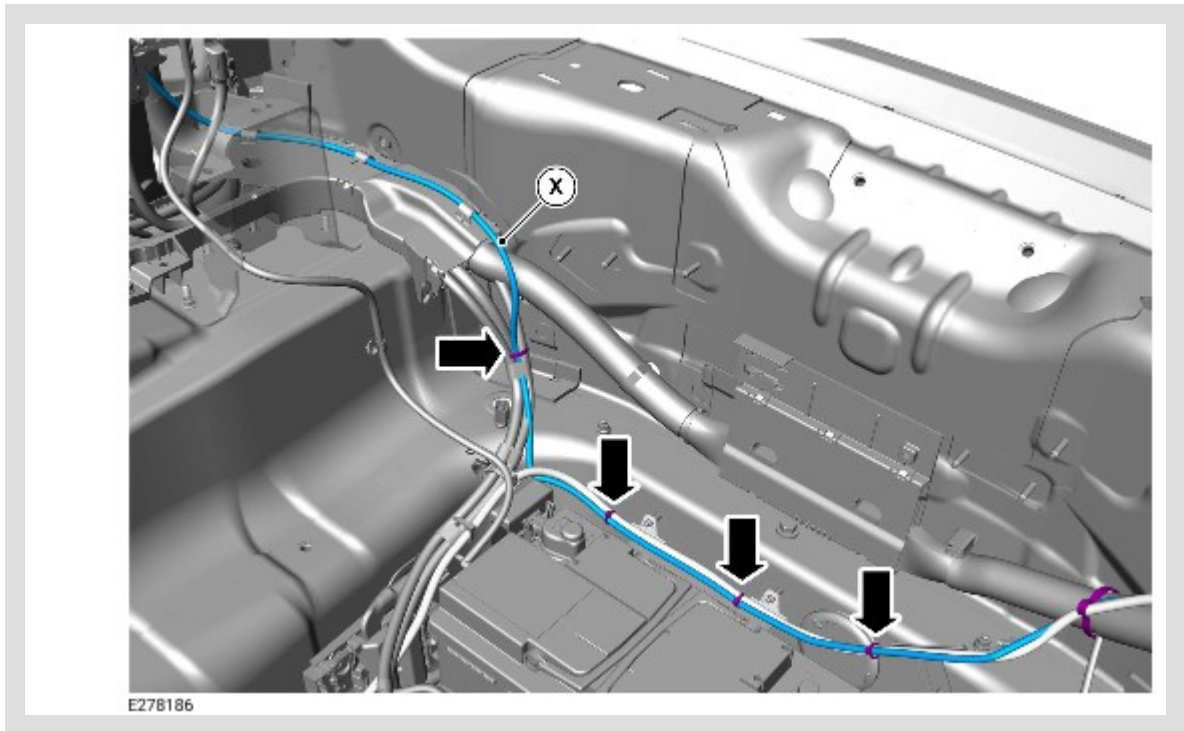
If deployable side steps are pre-installed on your vehicle you will need to remove link lead (X). This connection will be replaced when you install the towbar harness (C).



Remove existing deployable side step link cable (X). Disconnect (x2) connectors, earth cable and (x3) cable ties.

NOTE:

If deployable side steps are pre-installed on your vehicle you will need to remove link lead (X). This connection will be replaced when you install the towbar harness (C).

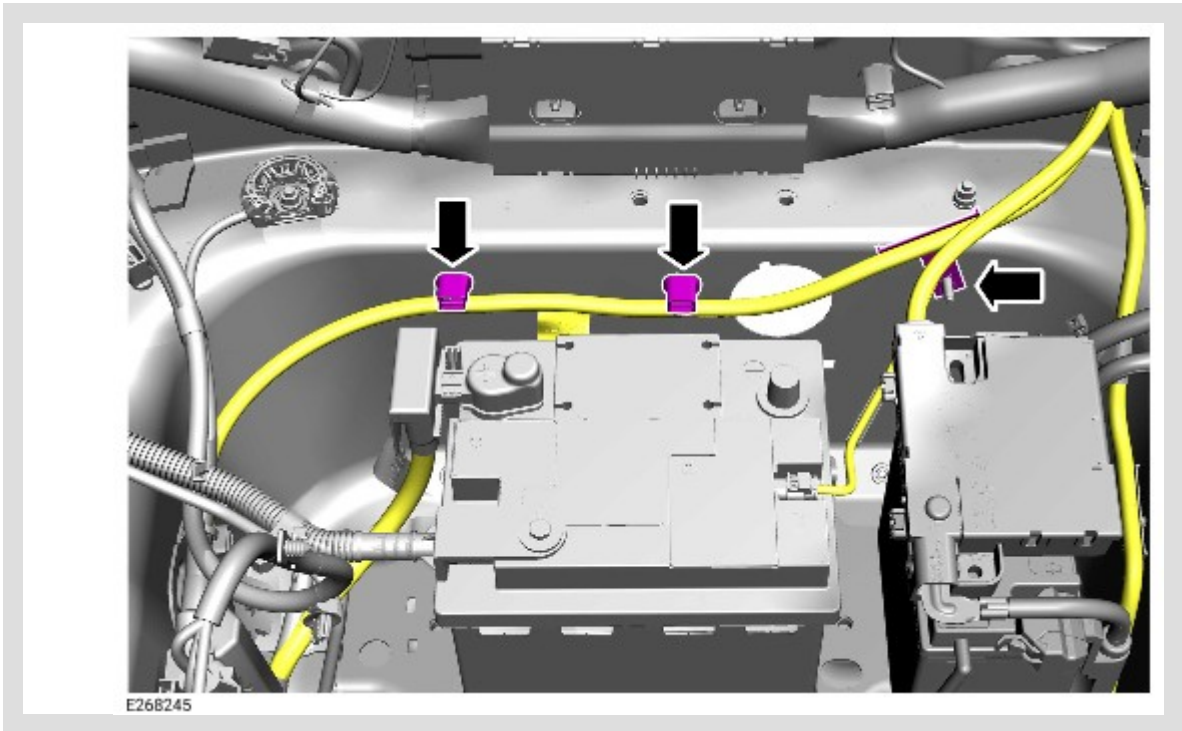


Continue to remove existing deployable side step link cable (X). Disconnect (x4) cable ties. The remaining part of link lead (X) is connected to the back of the junction box which can be removed in steps 24 and 25.

13.

NOTE:

For PHEV vehicles only.

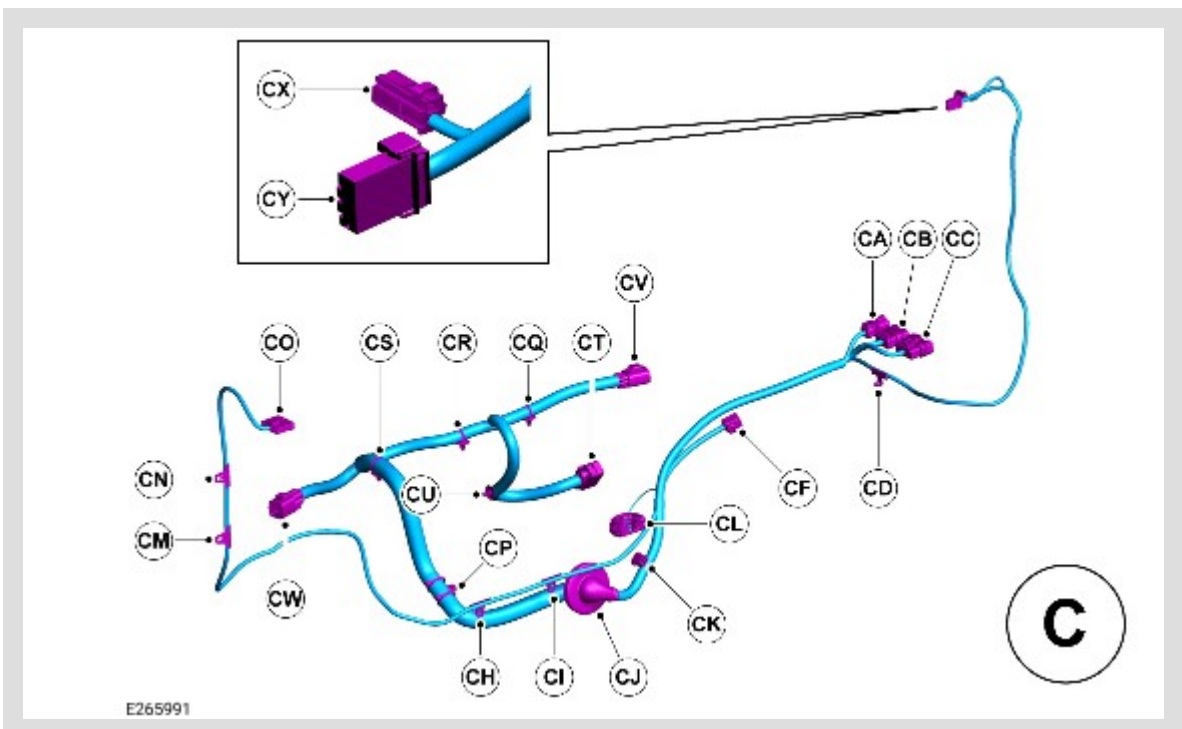


Remove body harness clips (x3) from spare wheel well in preparation of initialling the towing harness (C).

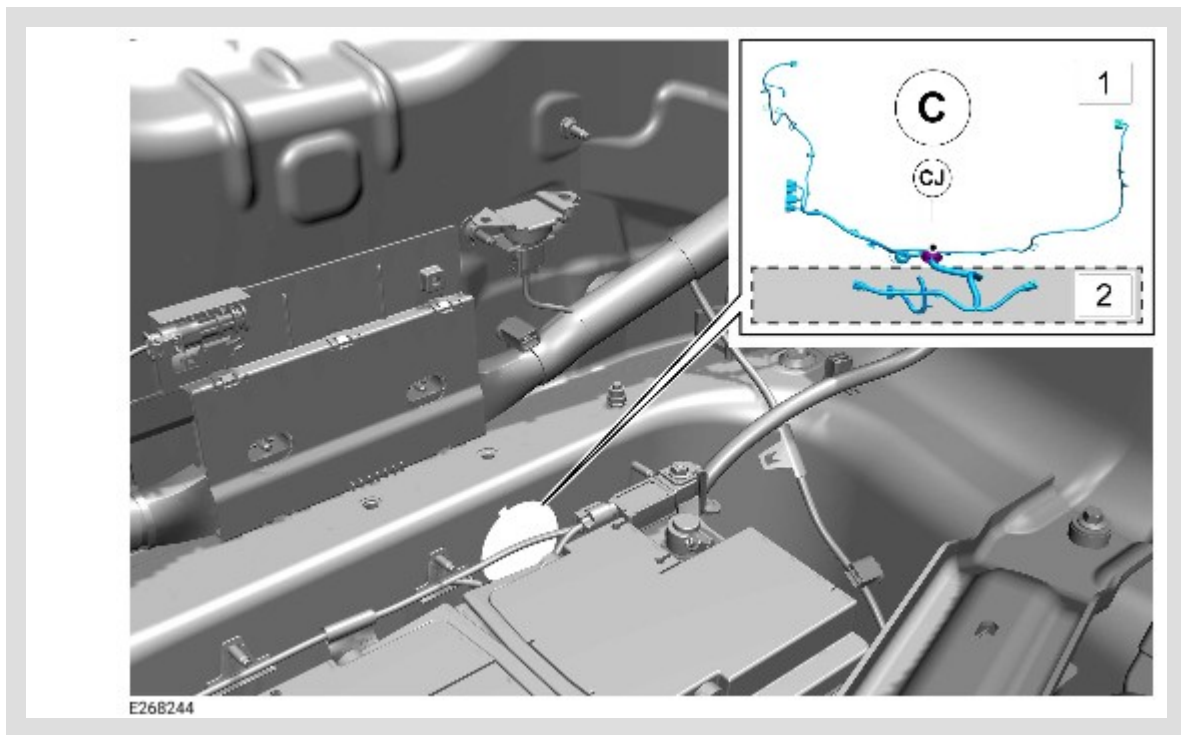
14.

NOTE:

Make note of towing harness (C) connectors and clips.



Familiarize yourself with towing harness (C).



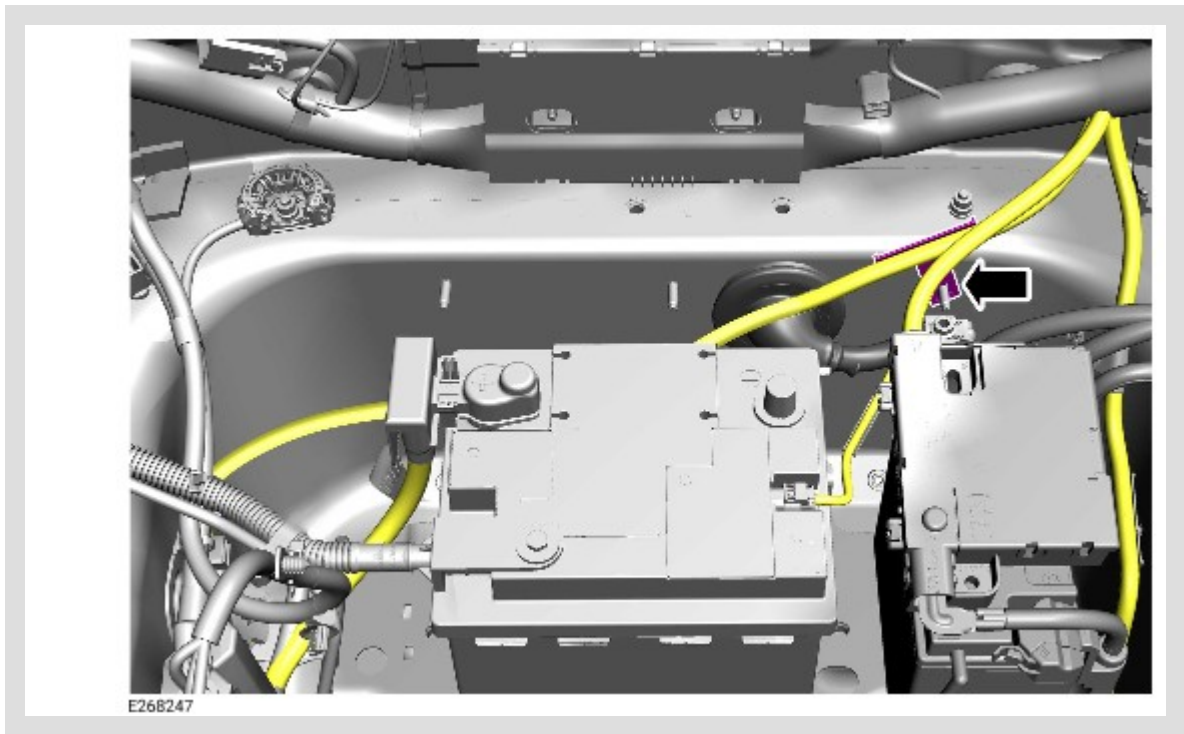
Feed towing harness (C) through spare wheel well.

1. Section 1 needs to sit inside the vehicle with grommet (CJ) sitting against the spare wheel well.
2. Section 2 needs to sit on the outside of vehicle.

16.

 NOTES:

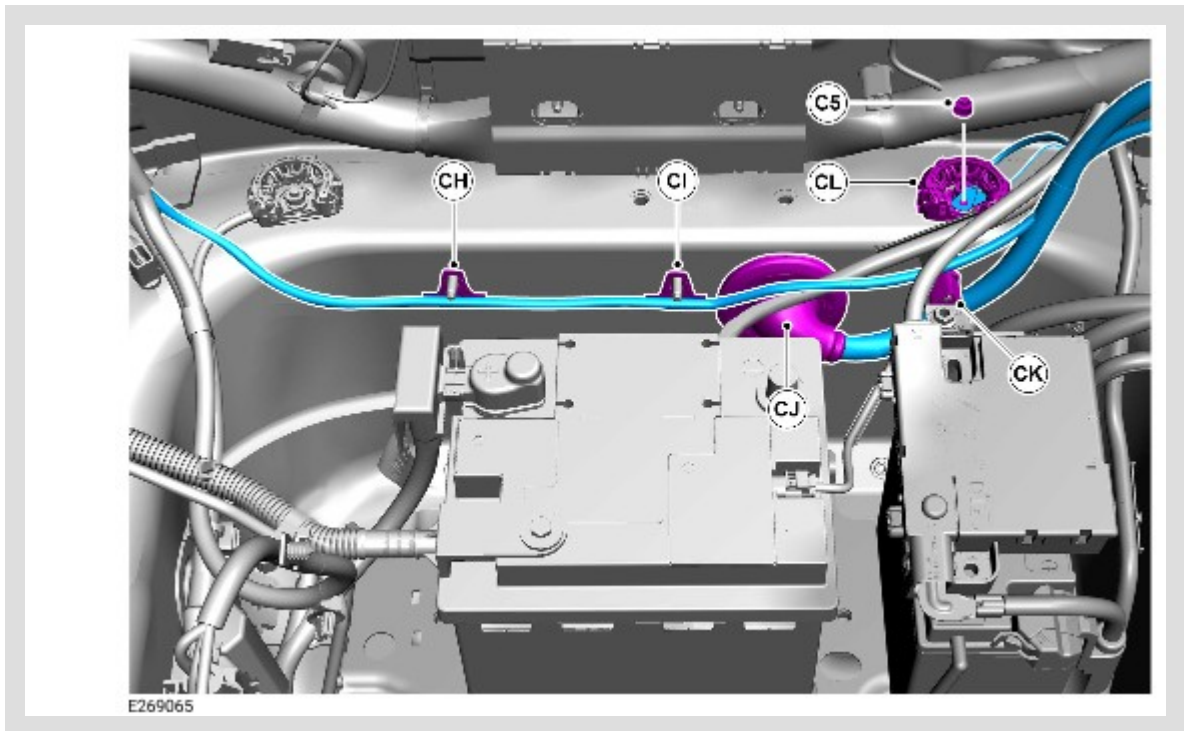
- For PHEV vehicles only.
- Please make note of how the body harness sits on the illustration on top of the towing harness.



Reinstall (x1) body harness clip to spare wheel well stud.

NOTES:

- For PHEV vehicles only.
- Please make note of how the harness sits on the illustration.



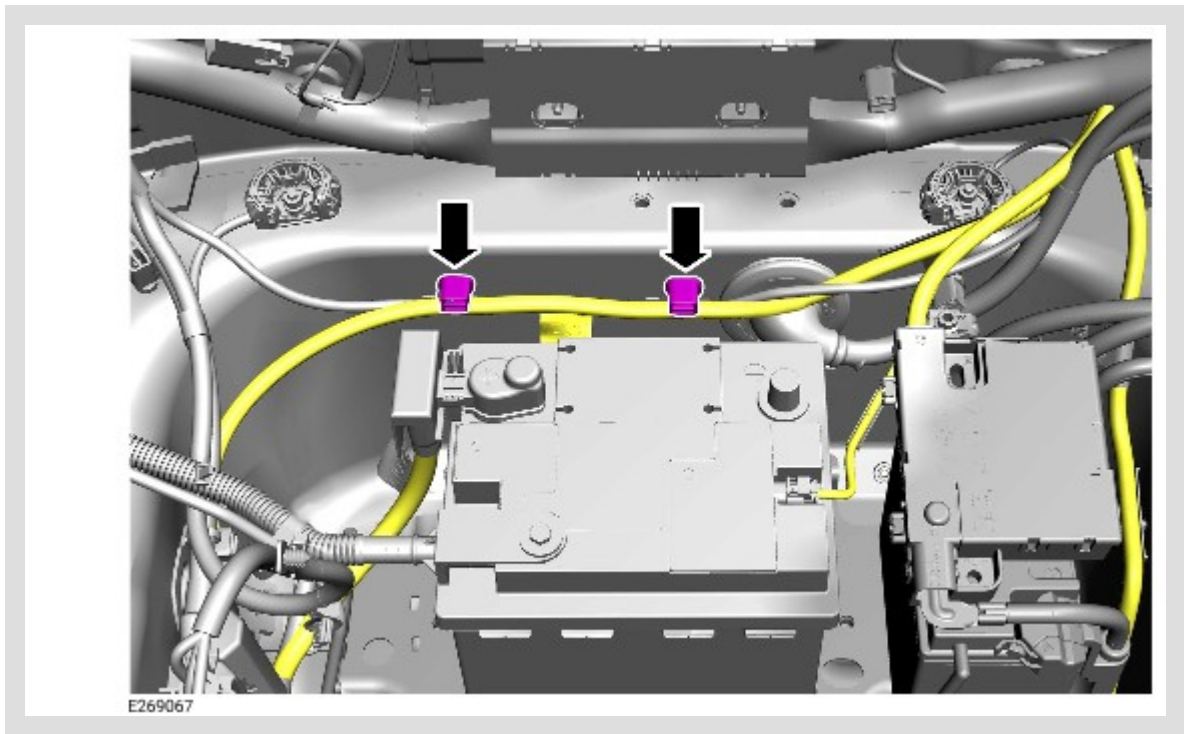
Install towing harness (C).

1. Make sure grommet (CJ) is installed to spare wheel well securely.
2. Connect clips (CH), (CI) and (CK) to spare wheel well studs.
3. Remove existing bolt (C5) and install earth leads to ring terminal (CL) to (C5) stud and reinstall bolt (C5).

Torque: 21Nm

 **NOTES:**

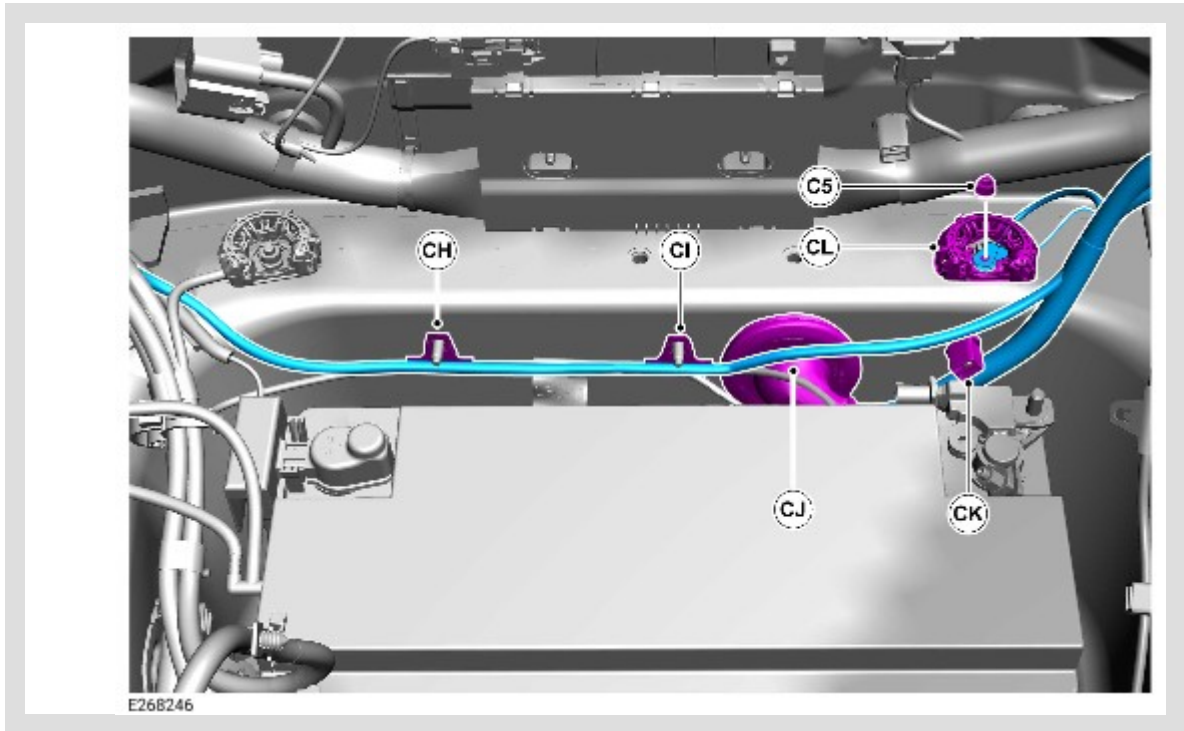
- For PHEV vehicles only.
- Please make note of how the harness sits on the illustration.



Reinstall (x2) body harness clips to spare wheel well studs.

NOTE:

For non- PHEV vehicles.




Install towing harness (C).

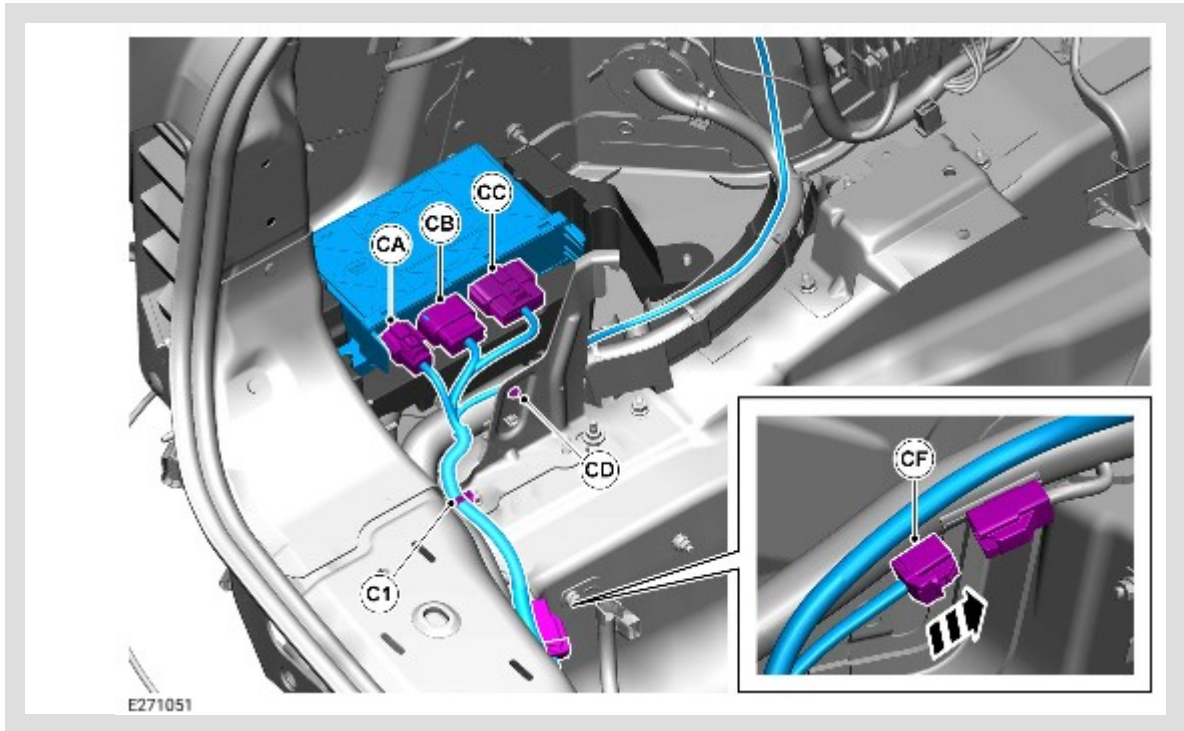
1. Make sure grommet (CJ) is installed to spare wheel well securely.
2. Connect clips (CH), (CI) and (CK) to spare wheel well studs.
3. Remove existing bolt (C5) and install earth leads to ring terminal (CL) to (C5) stud and reinstall bolt (C5).

Torque: 21Nm

20.


 **NOTE:**

For PHEV vehicles only.



Pull back left side trim panel and install towing harness as illustrated.

21.

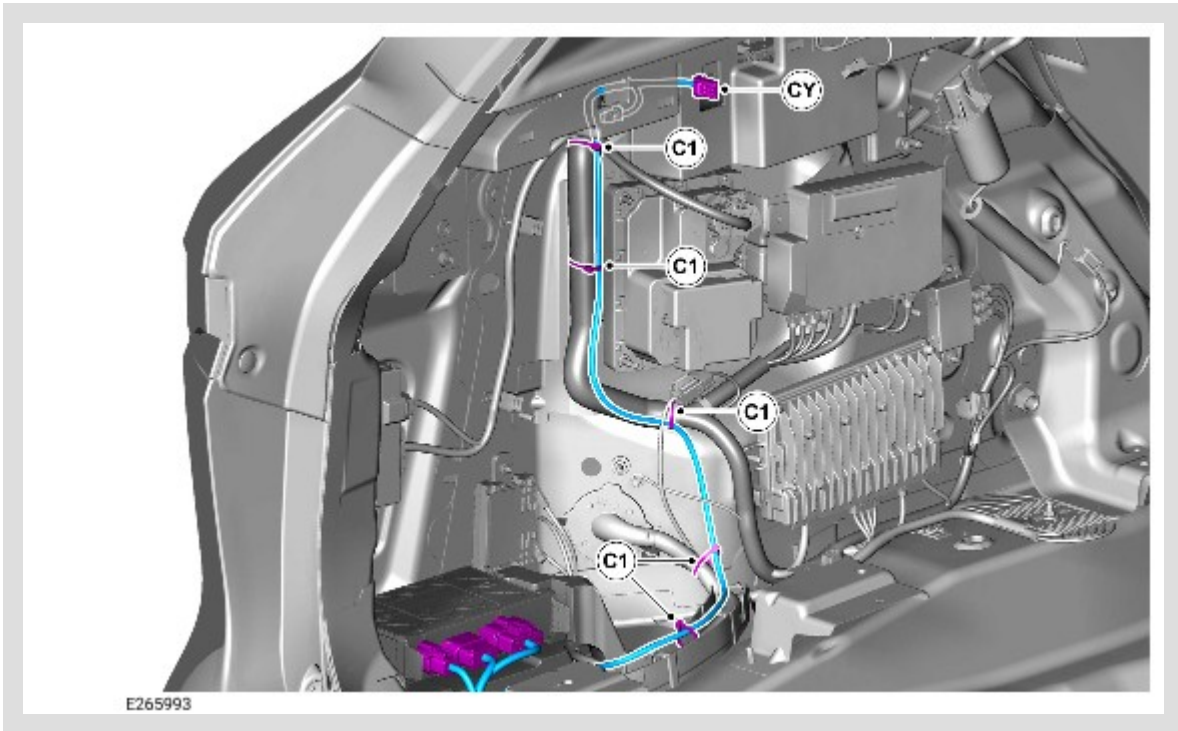
 **NOTE:**

For non- PHEV vehicles.



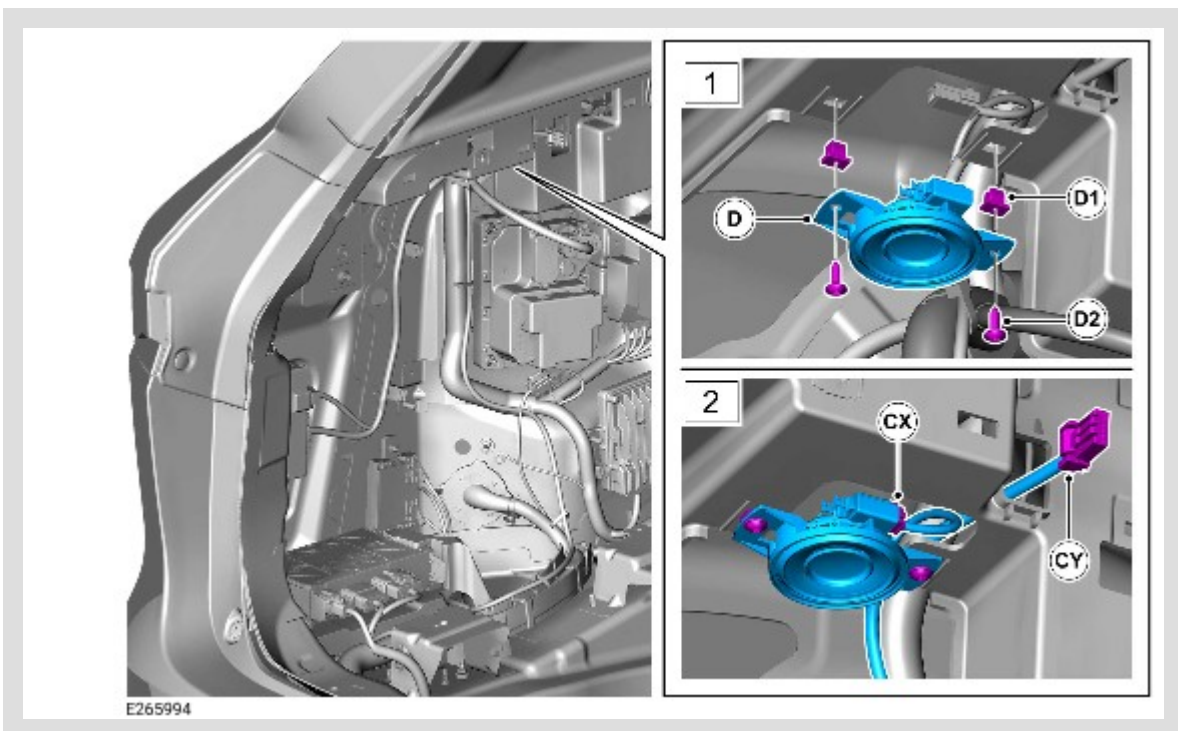
Pull back left side trim panel and install towing harness as illustrated.

22.



Secure towing harness with (x5) cable ties (C1).

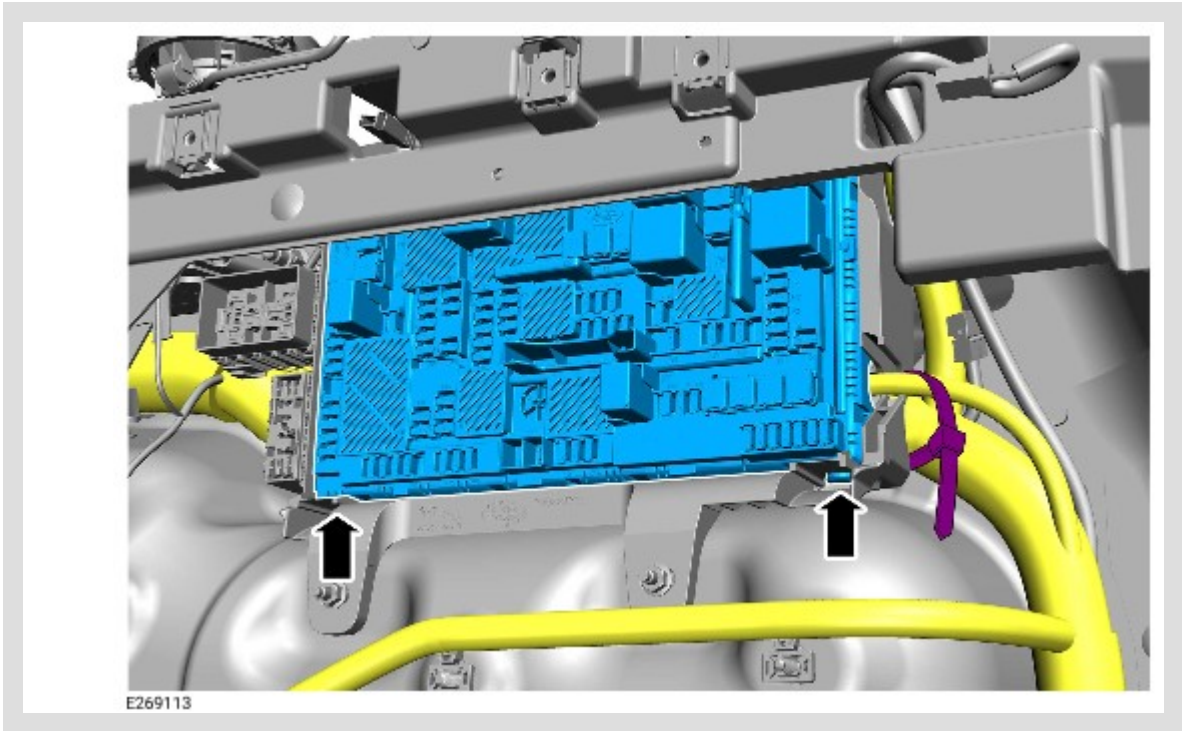
23.



Install speaker.

1. Install speaker (D) to luggage side trim with fixings (D1) and (D2). **Torque: 4.5Nm**
2. Connect connector (CX) to speaker (D). And feed connector (CY) through hole as illustrated.
3. Connect female end of harness (K) to (CY).

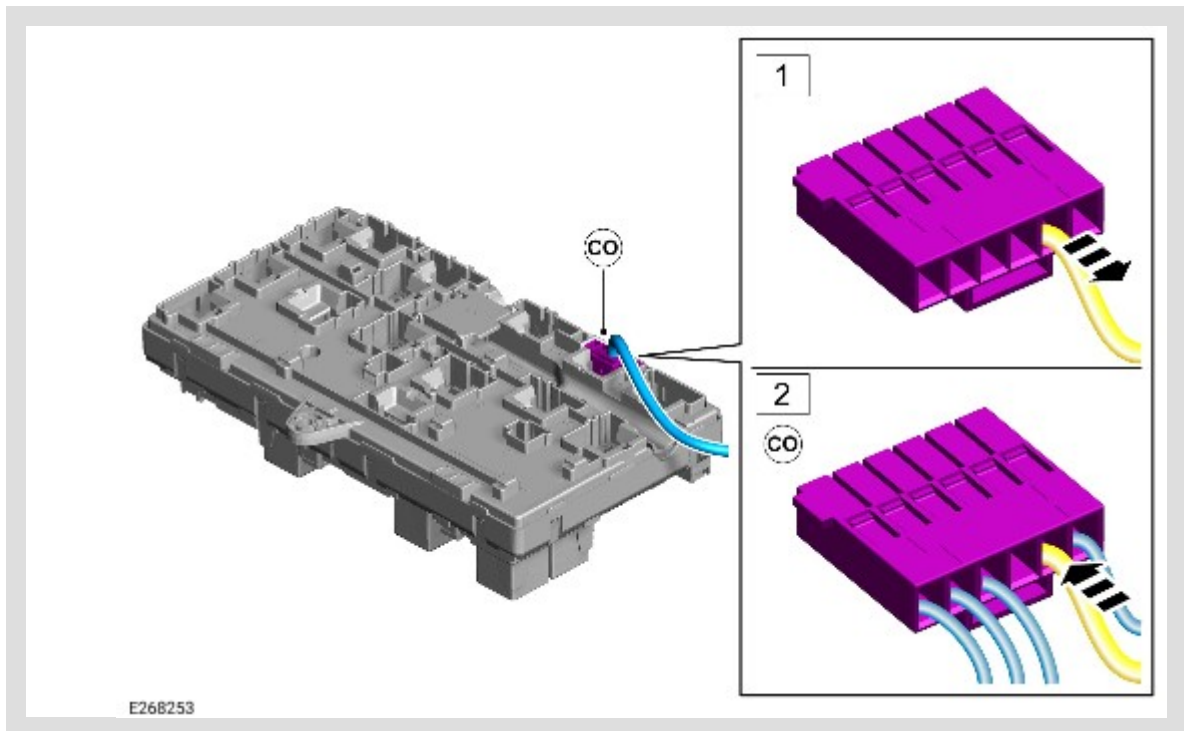
24.



Cut cable tie and release junction box from bottom clips.

NOTE:

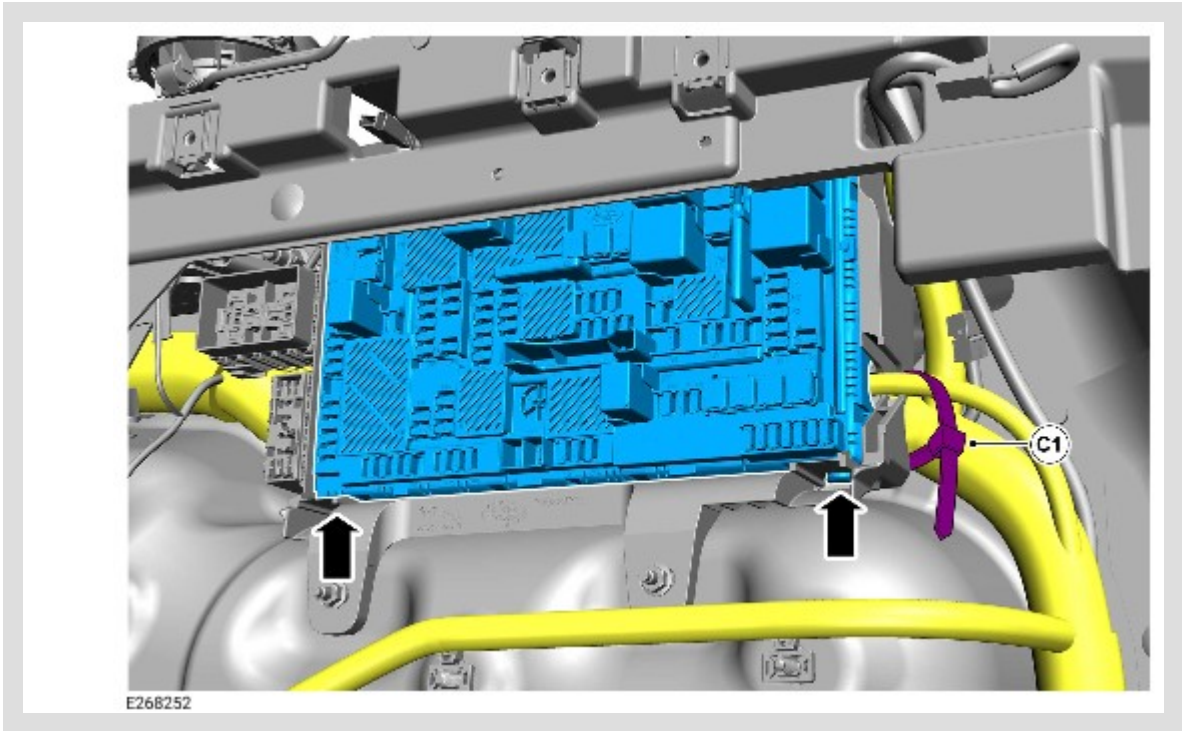
Observe orientation of the junction box connector (CO) as illustrated when inserting earth lead.



Install towing harness to back of junction box.

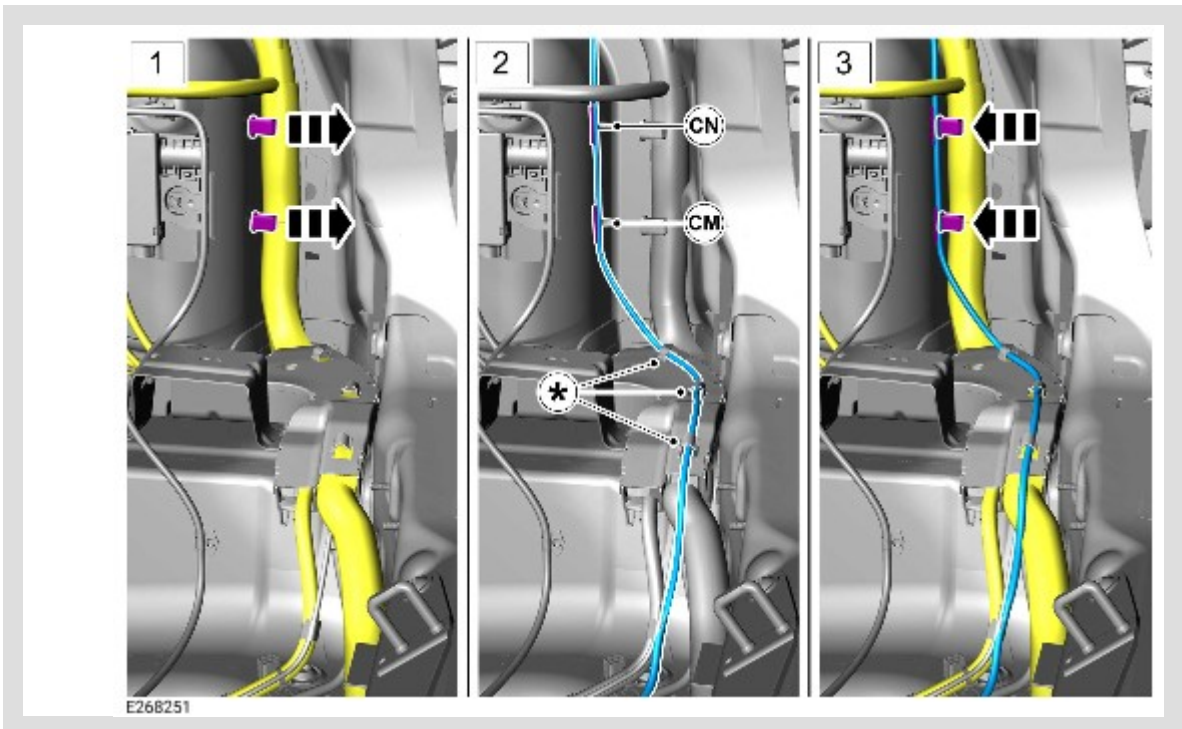
1. There will already be a connector in the location above when you remove the junction box. This will need to be disconnected and the earth lead de-pinned from the connector.
2. Install the de-pinned earth cable from (1) and install it in the same position into connector (CO). Then install connector.

26.



Reconnect junction box by the lower clips (a clicking sound will alert you it is securely in place), and then cable tie (C1).

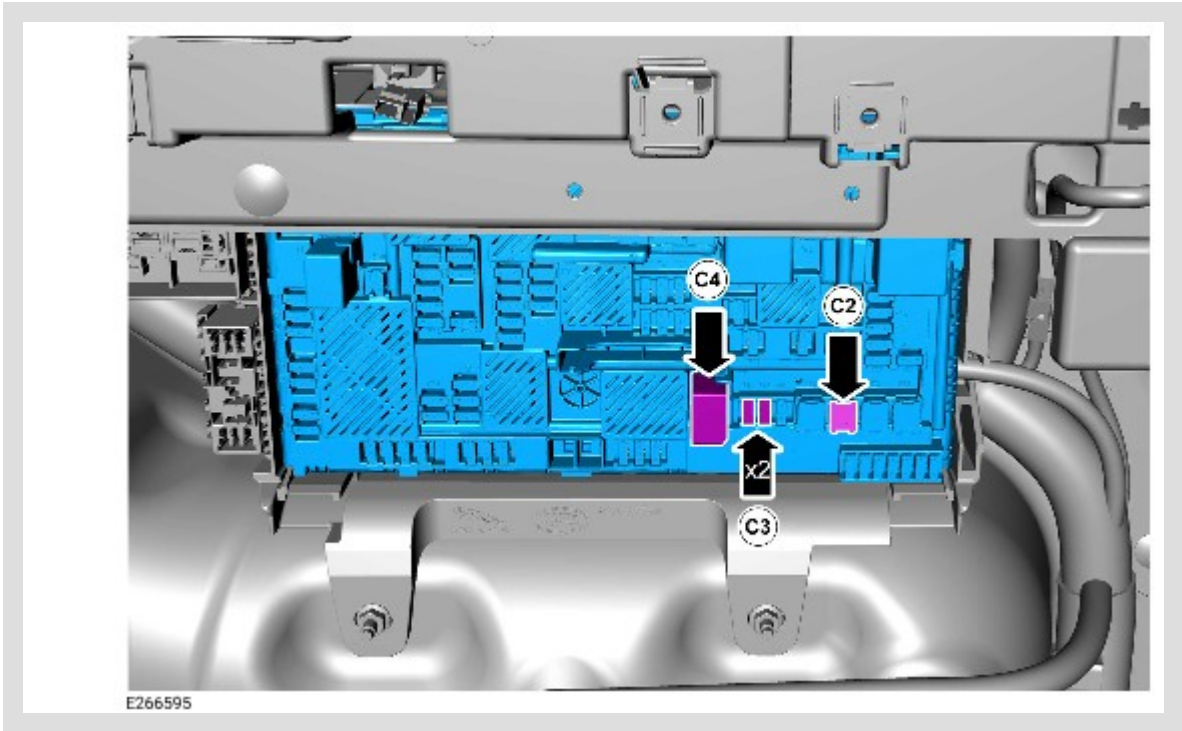
27.



Pull back right side trim panel and install towing harness (C).

1. Remove body harness stud clips (x2) from right side of loadspace .
2. Feed towing harness through clips annotated (*). Install towing harness to 2 studs with fixings (CN and CM).
3. Refit body harness to the two studs.

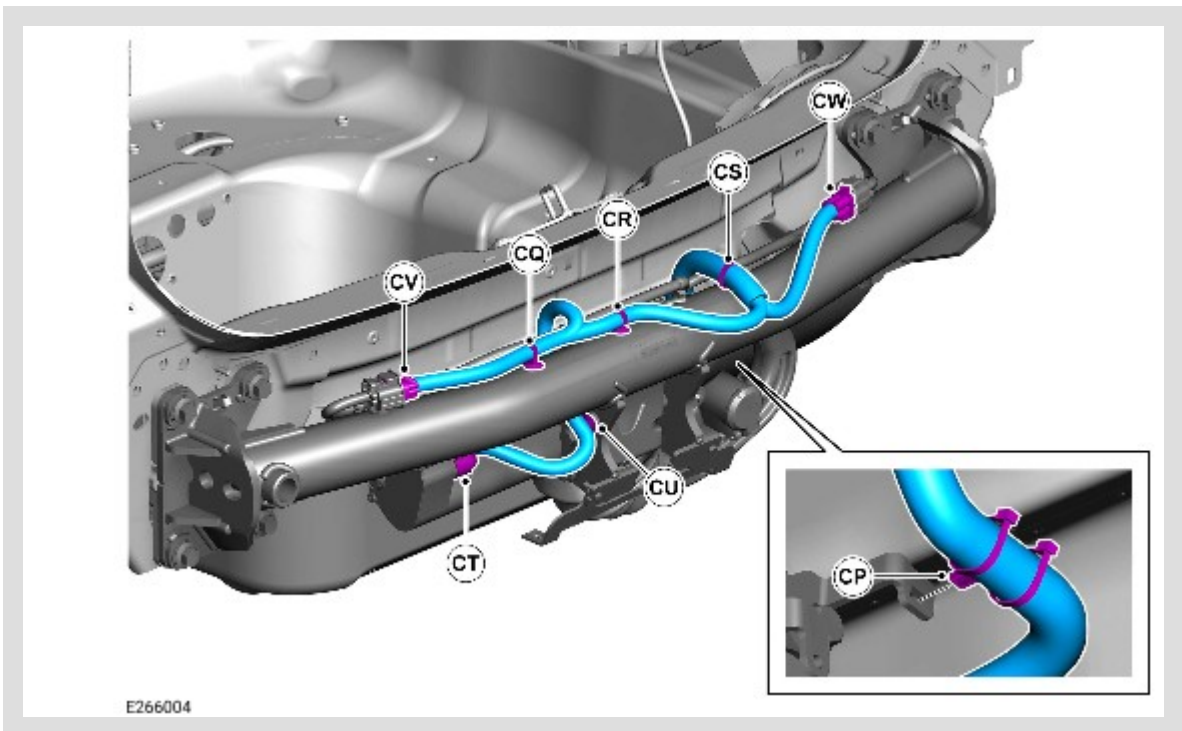
28.



Connect fuses.

1. Fuse (C2) = F71.
2. Fuses (C3) = F67 and F68.
3. Fuse (C4) = R7.

29.

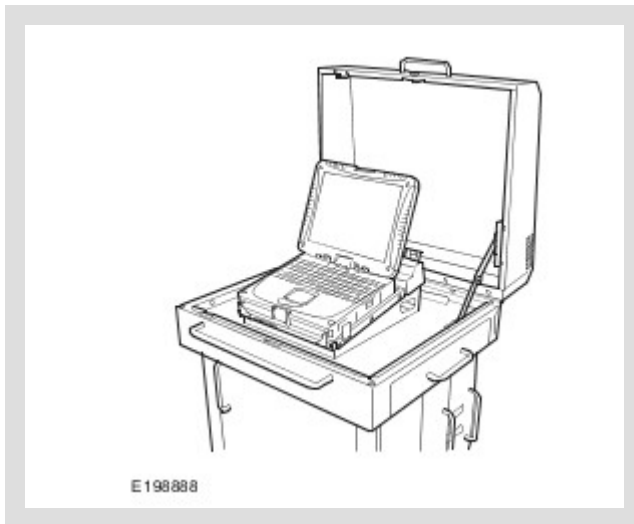


Install towing harness to towbar as illustrated.

30.

Reconnect battery (reversal of removal step 7).

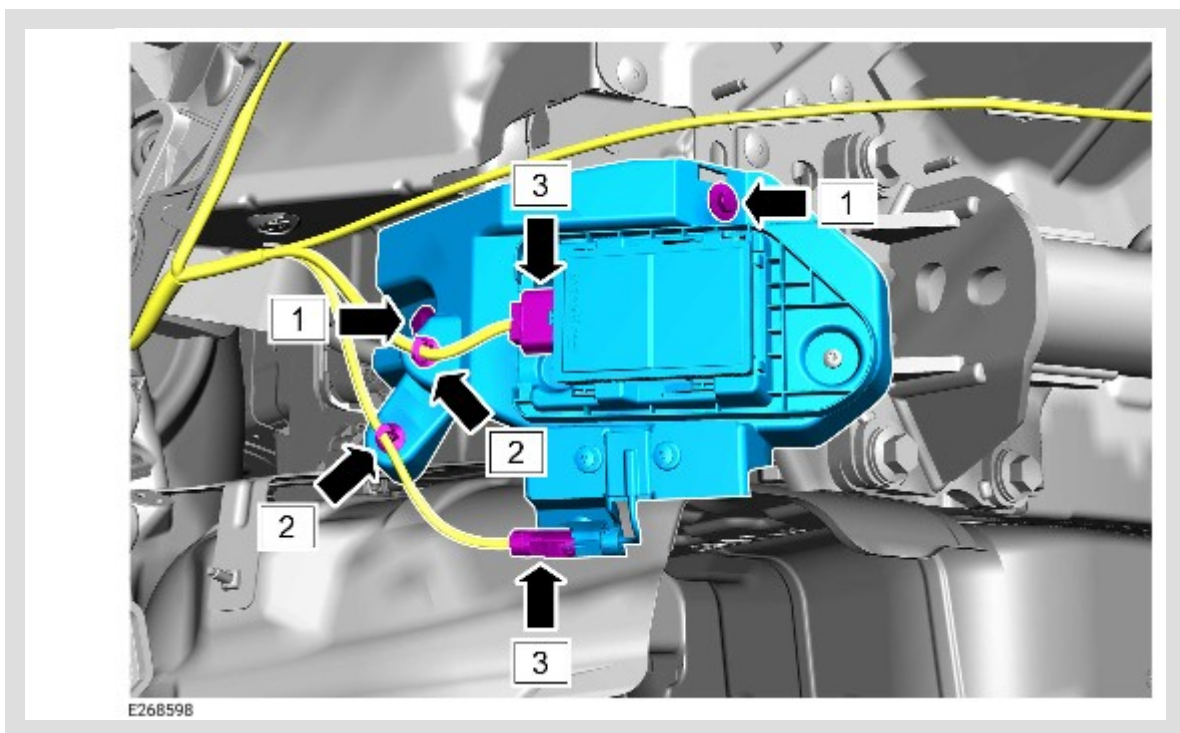
31.



Begin diagnostic procedure in parallel to the following trim installation steps.

1. Using the Jaguar Land Rover approved diagnostic equipment, update the towbar control module to the latest software.
2. Using the Jaguar Land Rover approved diagnostics equipment, configure the deployable towbar hardware to enable towing on the vehicle.
3. To enable the new changes on the vehicle: Switch off the vehicle ignition and close all apertures. Lock the vehicle for 5 minutes.
4. After 5 minutes unlock the vehicle and perform a hard battery reset. Start the engine and make sure the "TOW BAR" icon is shown on the touchscreen.

32.



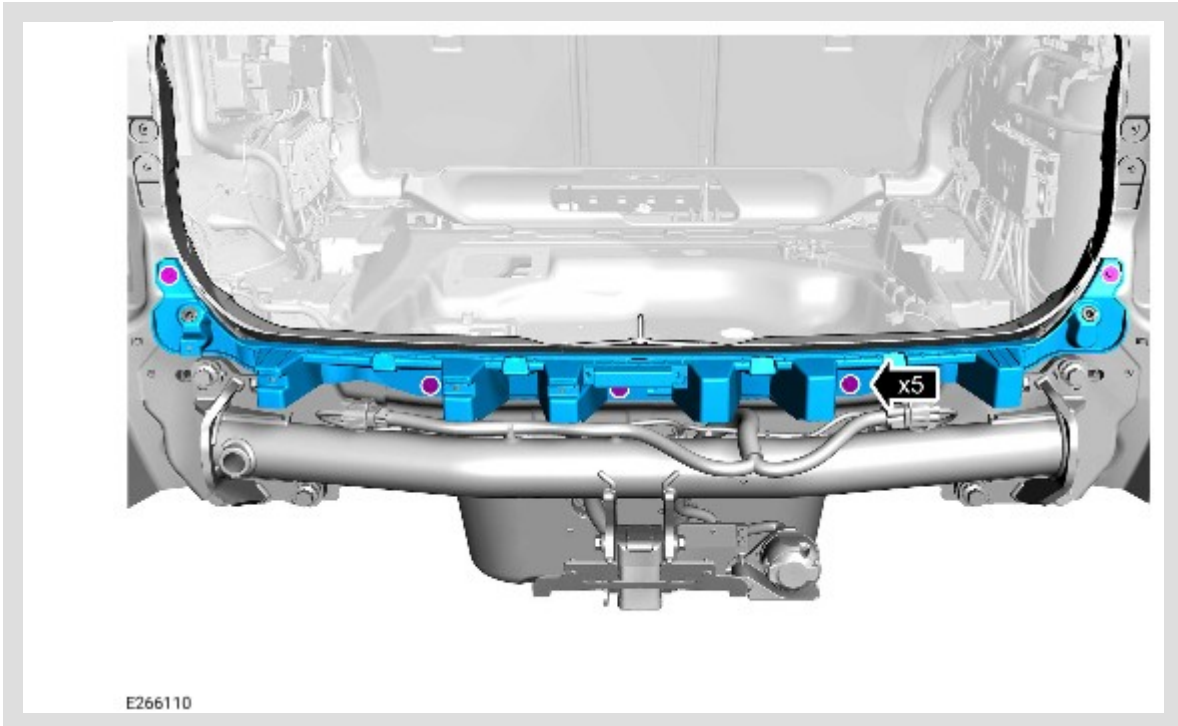
Refit the obstacle detection control module assembly on both sides of the vehicle.

1. Install (x2) bolts. **Torque: 10Nm**

2. Secure harness with (x2) clips.

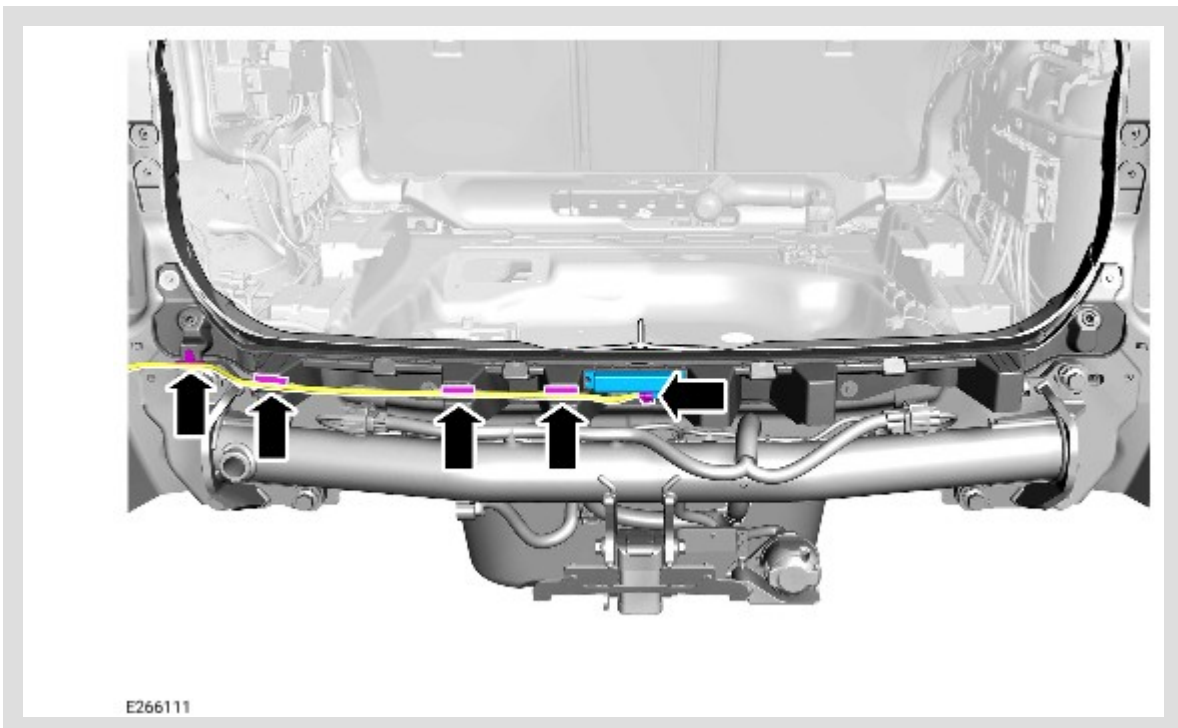
3. Connect the (x2) connectors.

33.



Refit rear bumper support bracket (x5) fixings. **Torque: 10Nm**

34.

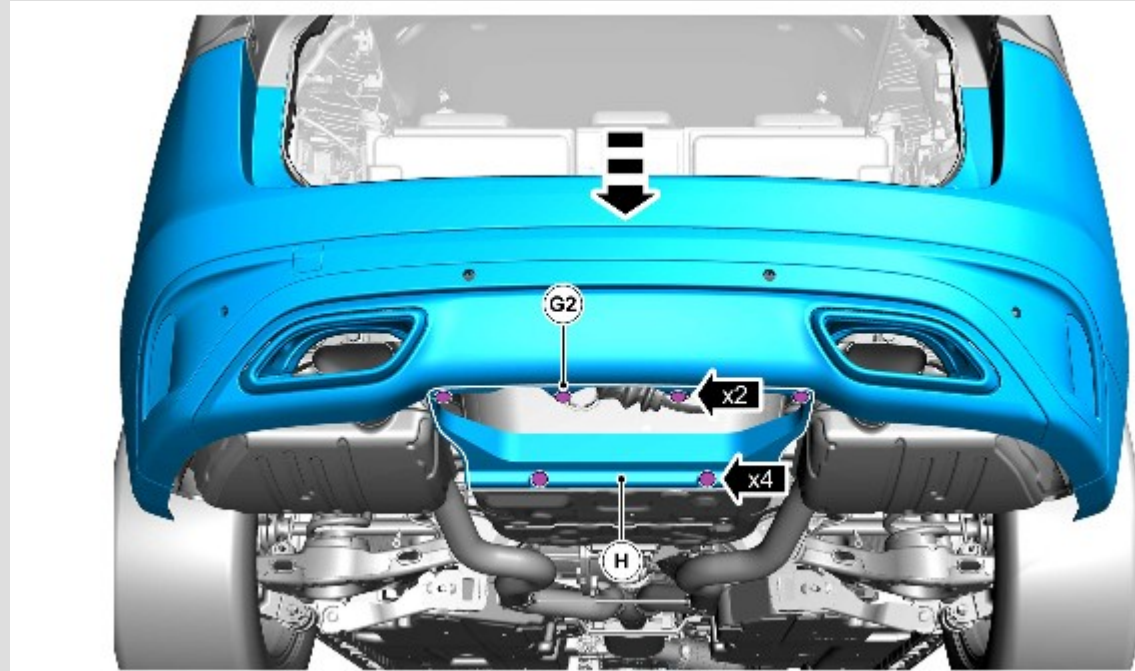


Refit the antenna module and harness.

1. Refit antenna module to bumper support bracket with (x2) bolts. **Torque: 10Nm**

2. Connect harness to antenna module and secure harness to bumper support bracket with (x4) clips.

35.

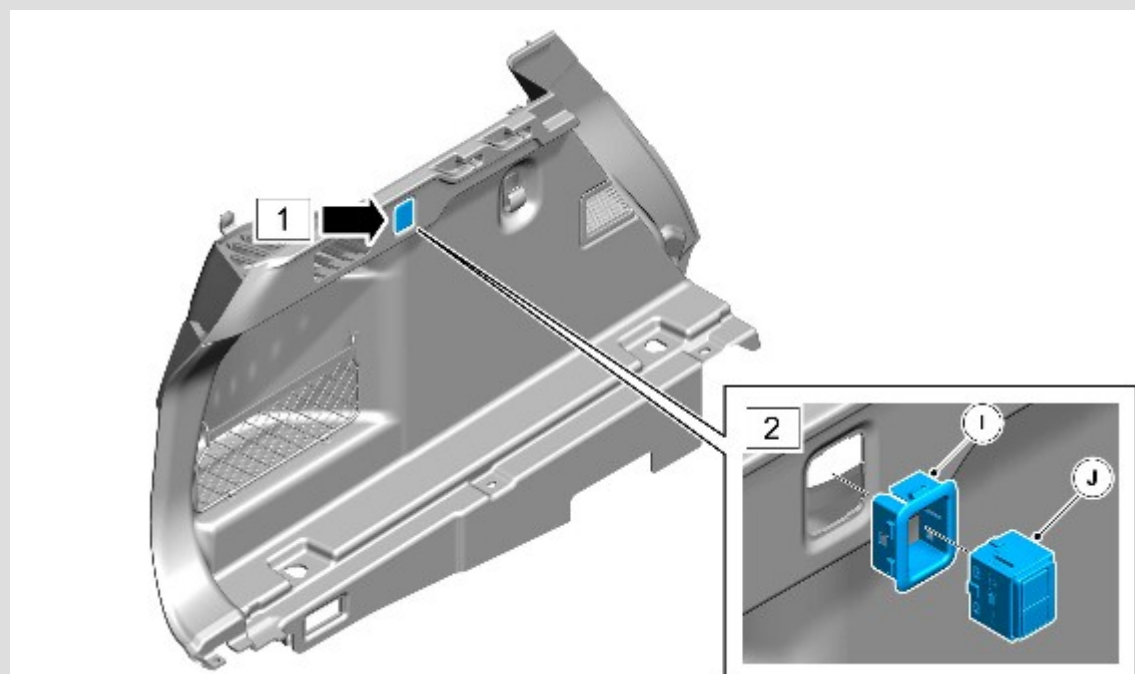


E266007

Reinstall rear bumper with new rear valance (H) and use same fixings from the removal except for (x2) (G2) fixings.

1. For additional information, refer to: Rear Bumper - INGENIUM I4 2.0L Diesel/INGENIUM I4 2.0L Petrol/TDV6 3.0L Diesel /V6 S/C 3.0L Petrol (501-19 Bumpers, Removal and Installation).

36.




E266014

Install EDT switch.

1. Remove existing blanking bezel from the left side trim panel.
2. Install EDT bezel (I). Then click in EDT switch (J).

37.

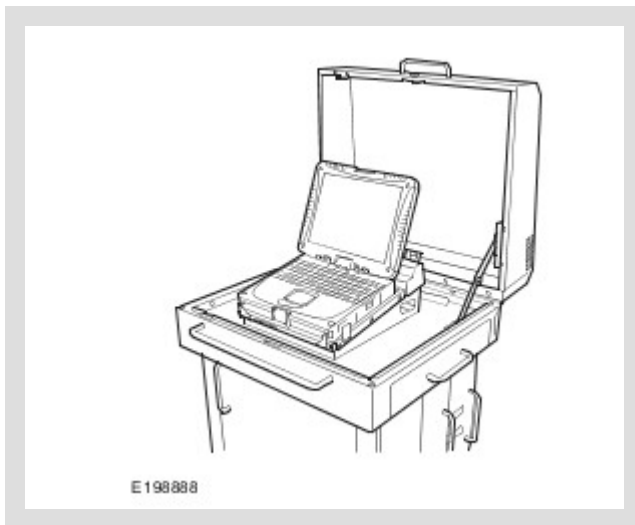
 **NOTE:**

When reinstalling the left side trim panel with newly installed EDT switch (J). Please make sure that the EDT switch (J) is connected to the male connector of harness (K) that was installed in step 21.

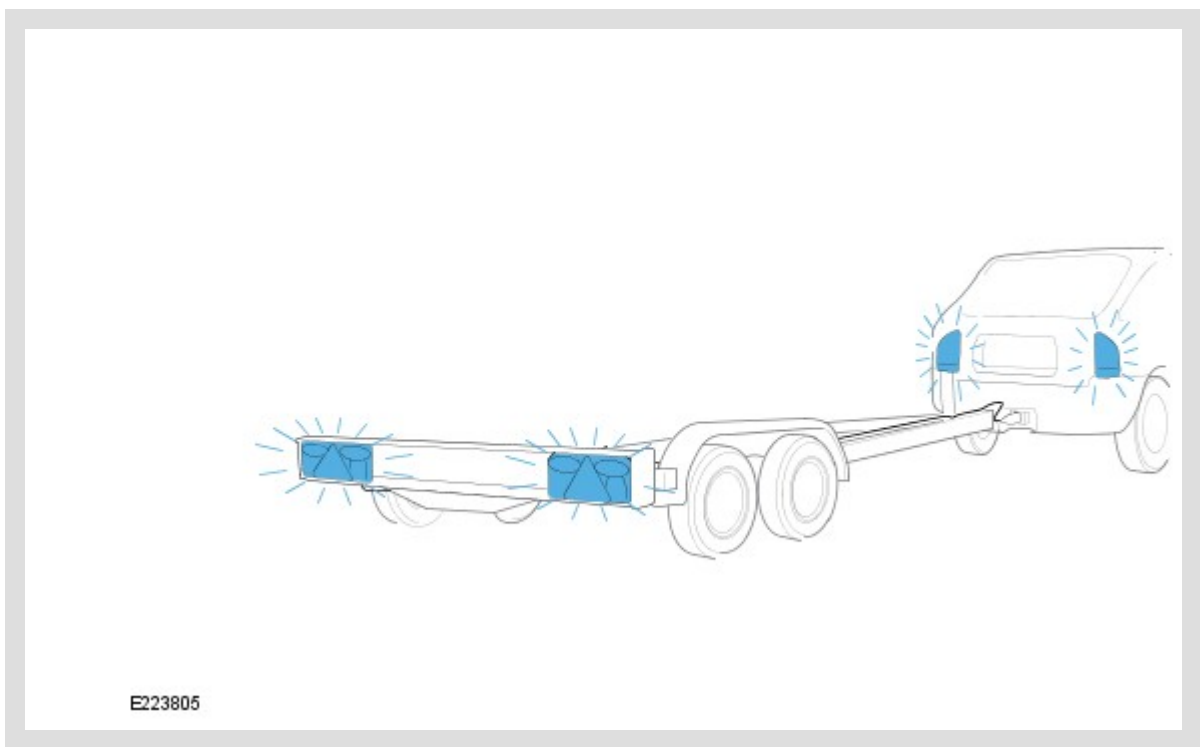
Refit all trims (reversal of removal steps 6 to 2).

38. Fold up second row seats.

39.



Check for Diagnostic Trouble Code(s) (DTC) on Pathfinder when operating the deployable towbar.



Check the operation of the trailer lamps and the vehicle lamps. Both trailer and vehicle lights must be synchronised.